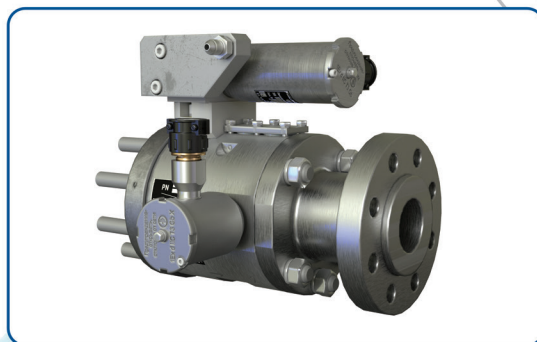


ADVANCED FLOW CONTROL TECHNIQUE

DESIGN • MANUFACTURE • TESTS • DELIVERY • AFTERSALES SERVICE





<b>ABOUT COMPANY</b>	<b>5</b>
Marking of solenoid valves (trademark КЭО)	6
Marking of back pressure valves (trademark КО)	7
Marking of safety valves (trademark ПРОК)	8
Marking of pressure & flow regulators (trademark РЕДУТ)	9
Marking of pneumatic hydraulic multipliers (trademark ПГМ)	10
Marking of solenoid drives (trademark ЭМП)	10
<b>SOLENOID VALVES</b>	
КЭО 03/16/760/111 с ЭВ 05/DC/024/4	11
КЭО 03/20/111/411 с ЭВ 05/DC/024/1	12
КЭО 03/20/161/443 с ЭВ 05/DC/024/1	13
КЭО 03/250/050/123 с ЭВ 05/DC/024/3	14
КЭО 06/210/101/443/1 с ЭВ 05/DC/024/1	15
КЭО 06/400/161/143 с ЭВ 05/DC/024/6	16
КЭО 08/20/115/412 с ЭВ 05/DC/024/1	17
КЭО 10/56/071/443 с ЭВ 05/DC/024/3	18
КЭО 10/250/062/125 с ЭВ 07/AC/230/2	19
КЭО 10/250/072/126 с ЭВ 07/AC/230/2	20
КЭО 10/350/662/125 с ЭВ 07/230/5	21
КЭО 15/20/760/115 с ЭВ 05/DC/024/4	22
КЭО 15/100/174/135 с ЭВ 06/AC/230/2	23
КЭО 15/250/051/123/5 с ЭВ 05/AC/230/3	24
КЭО 15/250/062/125 с ЭВ 07/AC/230/2	25
КЭО 20/35/074/275 с ЭВ 07/DC/024/3	26
КЭО 20/75/074/136 с ЭВ 06/DC/024/4	27
КЭО 20/250/054/115/1 с ЭВ 07AC/230/2	28
КЭО 25/10/082/125 с ЭВ 07/DC/024/1	29
КЭО 25/16/194/135 с ЭВ 07/AC/230/2	30
КЭО 25/40/338/131 с ЭВ 10/AC/230/1	31
КЭО 25/100/064/135 с ЭВ 06/DC/024/2	32
КЭО 25/160/074/135/4 с ЭВ 12/AC/230/2	33
КЭО 32/16/134/135 с ЭВ 07/DC/024/3	34
КЭО 32/25/134/136 с ЭВ 06/DC/024/2	35
КЭО 32/40/134/136 с ЭВ 06/DC/024/2	36
КЭО 32/100/052/135 с ЭВ 06/DC/024/2	37
КЭО 50/10/070/136 с ЭВ 06/AC/230/2	38
КЭО 50/10/082/135 с ЭВ 06/DC/024/1	39
КЭО 50/10/124/135 с ЭВ 06/DC/024/2	40
КЭО 50/16/074/136/4 с ЭВ 06/DC/024/2	41
КЭО 50/16/092/235/1 с ЭВ 06/DC/024/2	42
КЭО 50/40/072/235 с ЭВ 06/DC/024/2	43
КЭО 50/40/338/131 с ЭВ 08/AC/230/1	44
КЭО 50/75/072/133 с ЭВ 05/DC/024/3	45

КЭО 50/100/054/136 с ЭВ 11/DC/024/2	46
КЭО 50/100/064/135 с ЭВ 11/DC/024/2	47
КЭО 80/06/328/131 с ЭВ 09/AC/230/2	48
КЭО 80/10/082/135 с ЭВ 06/AC/230/1	49
КЭО 80/10/260/733 с ЭВ 05/AC/230/3	50
КЭО 80/16/074/135/4 с ЭВ 06/DC/024/2	51
КЭО 80/40/064/135 с ЭВ 11/DC/024/6	52
КЭО 80/160/074/135 с ЭВ 11/DC/024/8	53
КЭО 100/16/074/135 с ЭВ 11/AC/230/6	54
КЭО 150/16/134/135 с ЭВ 11/AC/230/6	55
<b>BACK PRESSURE VALVE</b>	
КО 15/250/00/2/00	56
КО 25/100/00/2/00	57
КО 32/250/00/5/00	58
КО 50/25/10/3/00	59
Ко 50/25/50/8/00	60
КО 65/25/10/3/00	61
КО 80/16/10/7/00	62
КО 80/25/50/8/00	63
КО 100/06/00/8/00	64
<b>PRESSURE REGULATORS</b>	
РЕДУТ-Д 10/250/200/00/2/00	65
РЕДУТ-Д 25/10/3,5/00/3/00	66
РЕДУТ-Д 25/100/12/00/3/00	67
РЕДУТ-Д 32/6,3/0,5/00/3/00	68
РЕДУТ-Д 50/10/0,2/00/3/00	69
<b>SAFETY VALVES</b>	
ПРОК 5/250/XX/00/2/00	70
ПРОК 15/125/XX/01/1/40	71
ПРОК 25/XX/XX/0X/3/X0	72
ПРОК 50/XX/XX/01/3/00	73
ПРОК 80/XX/XX/01/3/00	74
БПК 50/160/0/1/73 с ПРОК 50/160/80/01/3/00	75
ИПК 25/40/16/0/1/3/00	76
<b>BYPASS VALVES</b>	
ПРОК 32/10/0,4/10/3/00	77
ПРОК 32/10/4/10/3/00	78
ПРОК 50/10/6/00/3/00	79
<b>PNEUMATIC HYDRAULIC MULTIPLIERS</b>	
ПГМ-250, ПГМ-450, ПГМ-750, ПГМ-1100	80
<b>SOLENOID DRIVES</b>	
ЭМП 57/DC/027/1, ЭМП 59/DC/027/1	81
ЭМП 58/DC/027/1	82



Tehnoproekt LLC was founded in April 1999 on the base of REVALVE/PKTBA CJSC. Since that time our company has evolved from a developer of design documentation into an integrated manufacturer. Tehnoproekt LLC has its own design-engineering and industrial engineering departments, own production facility and a full range of control equipment and test equipment. Our company deals with developing, manufacturing and supply of pipeline valves for oil, gas, nuclear, railway and other industries.

While producing products Tehnoproekt LLC uses high-performance CNC machines working in 3 shifts and providing edge cutting machining of parts with accuracy to 5 microns and repeatability to 2,5 microns. These parameters provide the stability of required product sizes that consequently increasing performance reliability of our devices.

Designing sophisticated devices the specialists of our engineering department constantly bring in new technical solutions confirmed by patents.

Our products are the result of bilateral dialogue with customers. Every solution takes into accounts the needs and the nuances of specific projects as much as possible. We do not offer typical solutions. We adapt them to client's requirements.

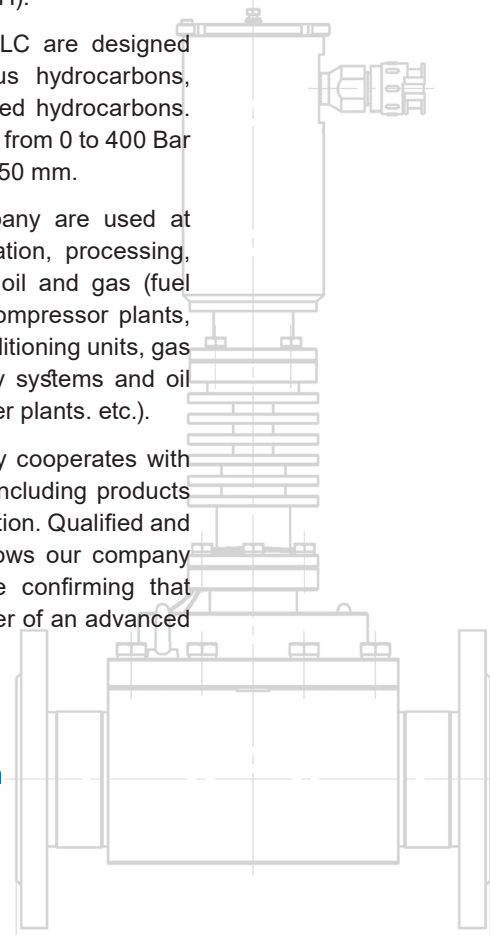
Now the nomenclature of our products includes the following devices:

- solenoid valves (trademark КЭО);
- back pressure valves (trademark КО);
- safety valves (trademark ПРОК);
- distributor valve assembly (trademark БПК);
- pulse safety valves (trademark ИПК);
- pressure regulators (trademark РЕДУТ);
- pneumatic hydraulic multipliers (trademark ПГМ);
- solenoid drives (trademark ЭМП).

Pipeline valves of Tehnoproekt LLC are designed for different applications (gaseous hydrocarbons, petroleum, water, methane, liquefied hydrocarbons. etc.) with a nominal pressure range from 0 to 400 Bar and a nominal diameter from 3 to 150 mm.

The pipeline valves of our company are used at the stages of production, preparation, processing, distribution and transportation of oil and gas (fuel gas treatment systems, booster compressor plants, plants of gas odorization, gas conditioning units, gas engine power stations, fuel supply systems and oil supply systems of gas turbine power plants. etc.).

While selling our company actively cooperates with our customers at all stages from including products in a draft to putting them into operation. Qualified and operative work at every stage allows our company to move forward with confidence confirming that Tehnoproekt LLC is a manufacturer of an advanced flow control technique.

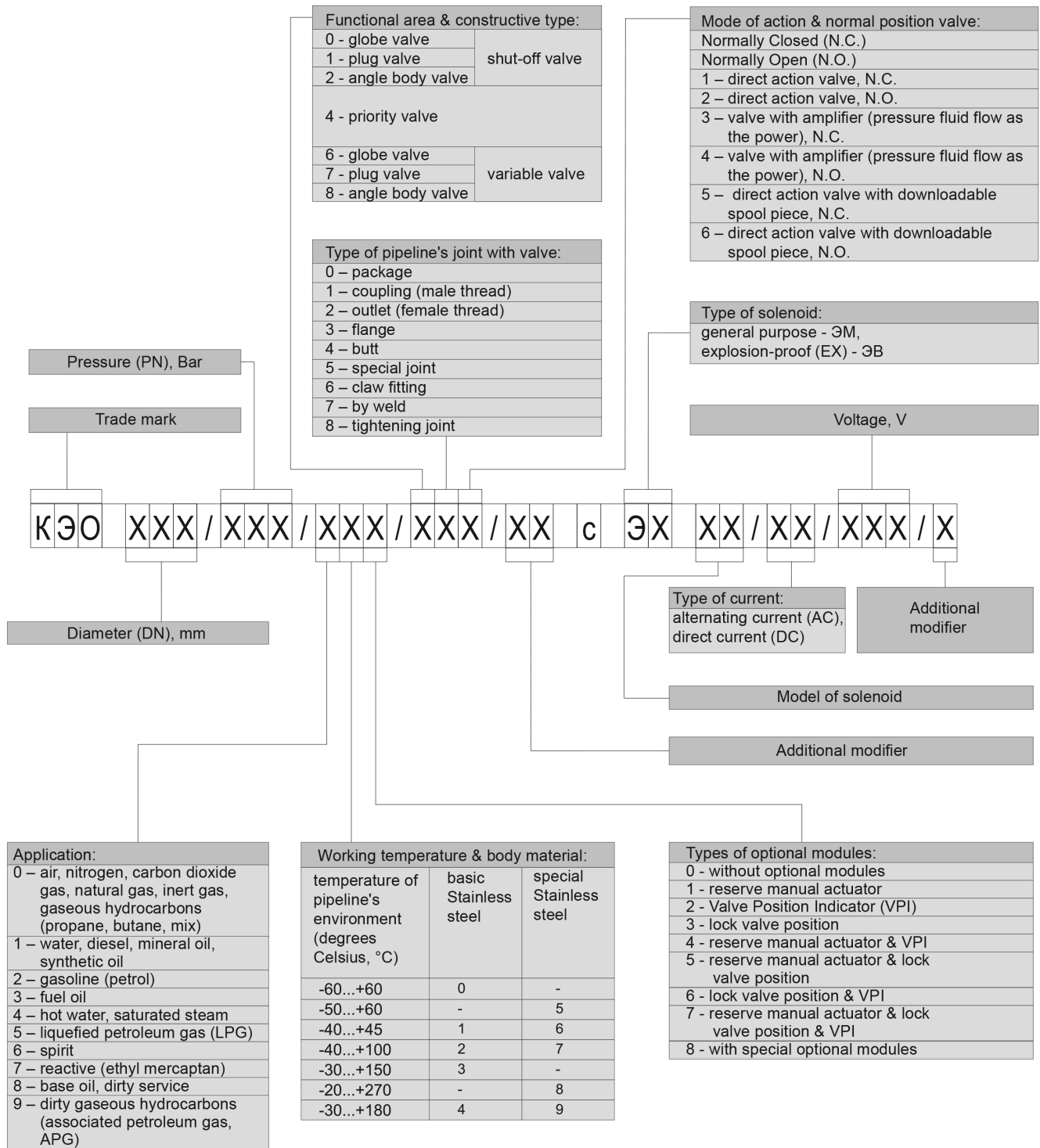


CONTACT

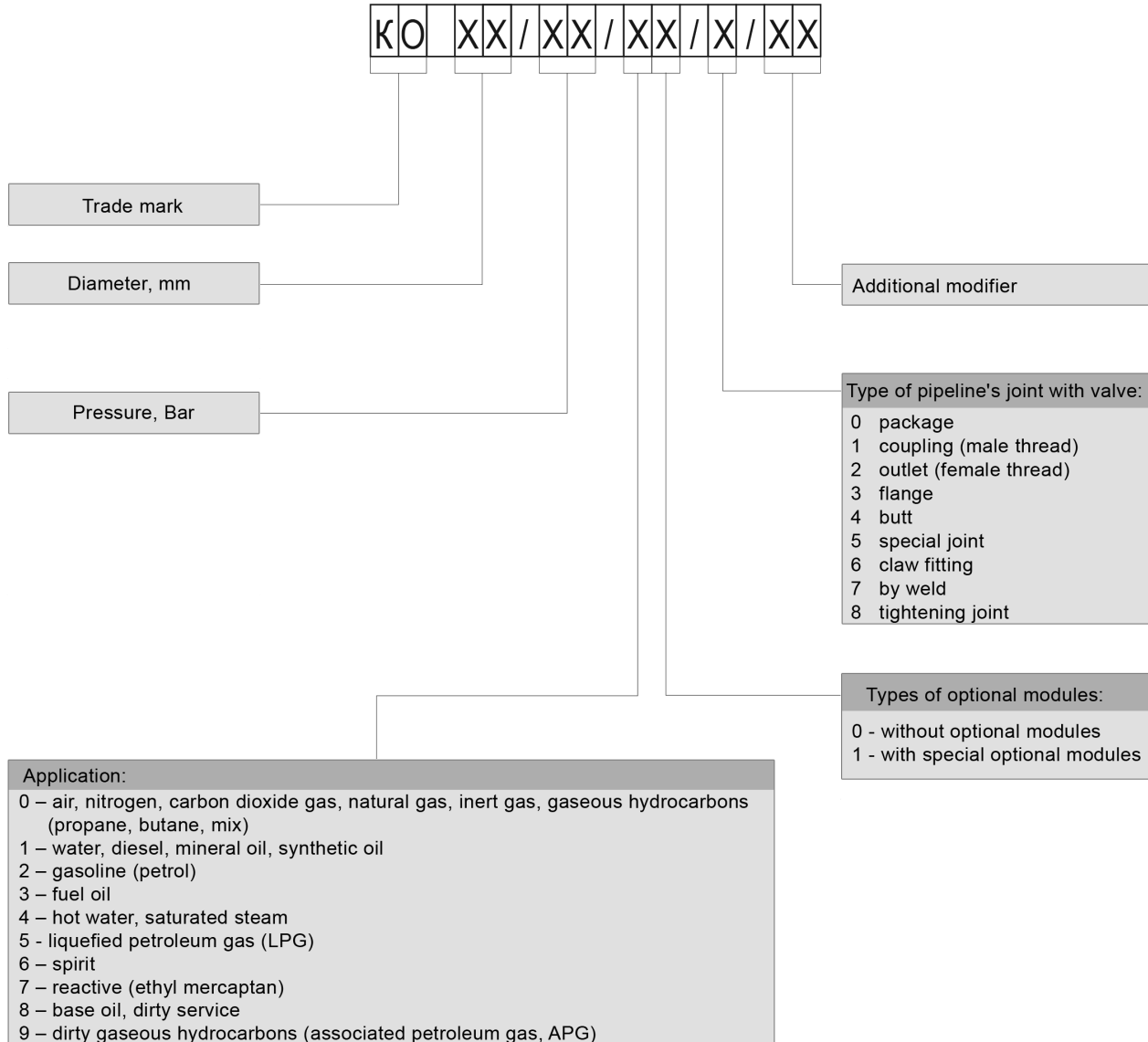
LLC «Tehnoproekt»  
 75, Pobeda pr., Penza, 440060, Russia  
 tel./fax: +7 (8412) 202-303, 95-75-06  
 marketing@takevalve.com  
 www.takevalve.com



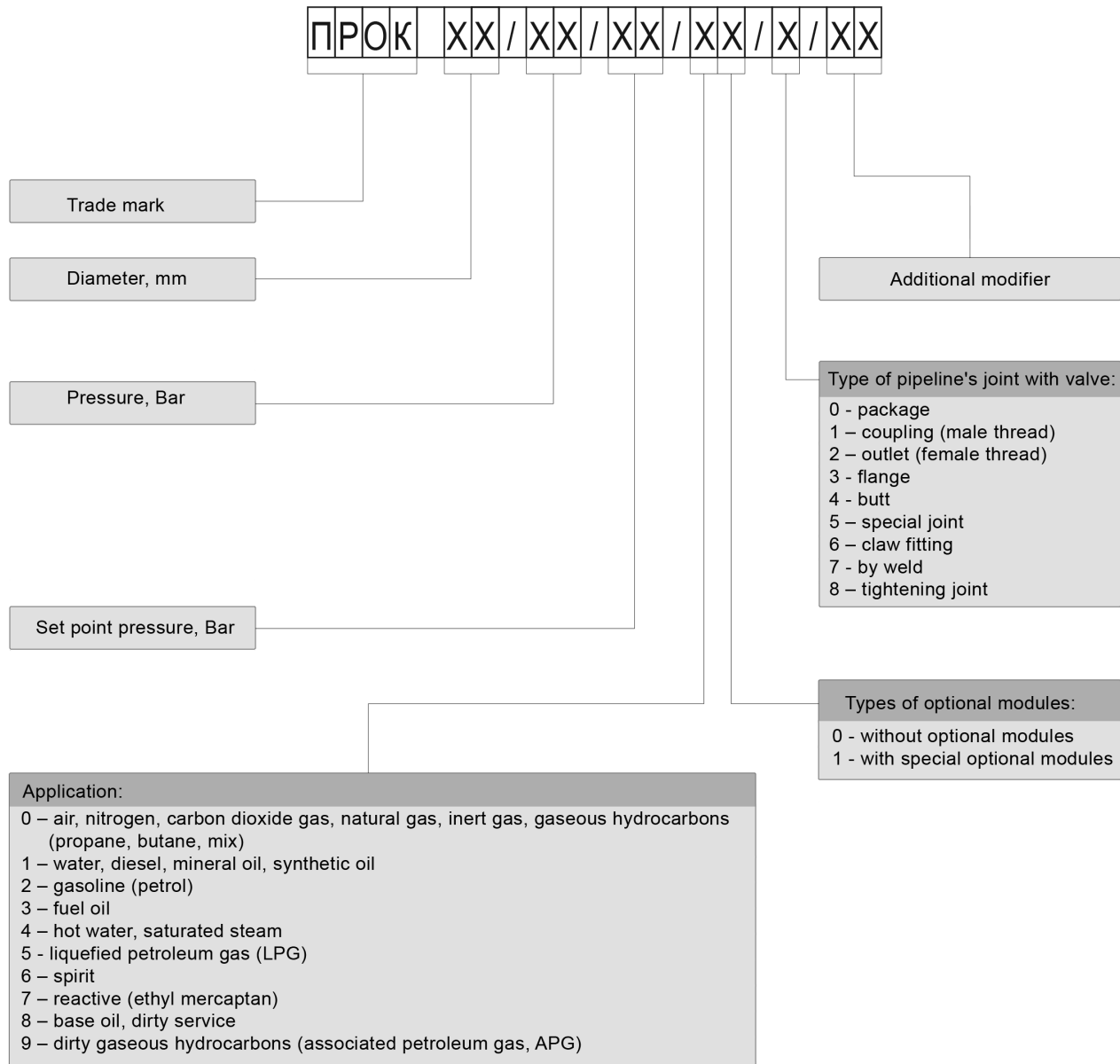
# Marking of solenoid valves with (trademark KЭO)



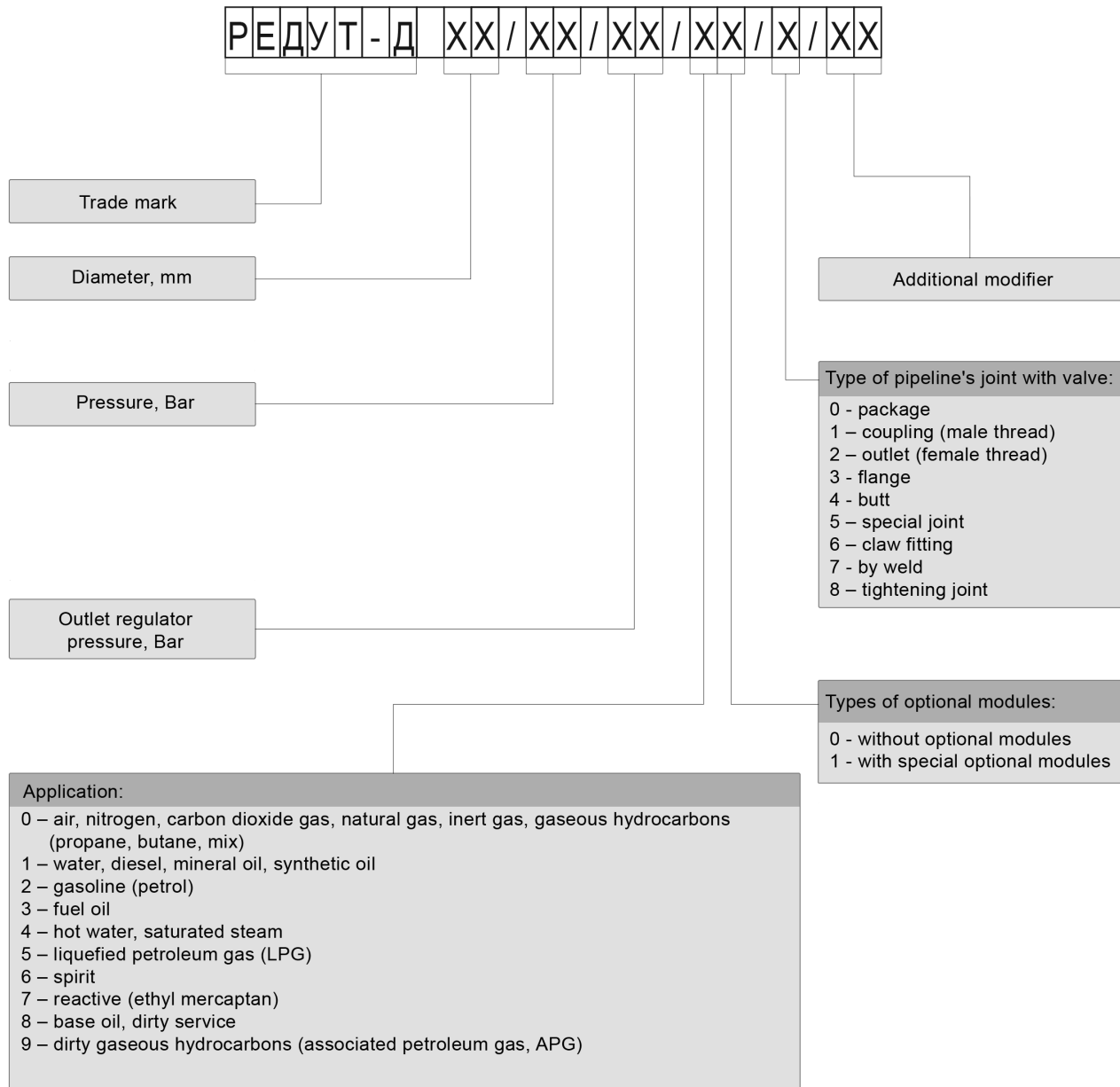
# Marking of back pressure valves (trademark KO)



# Marking of safety valves (trademark ПРОК)

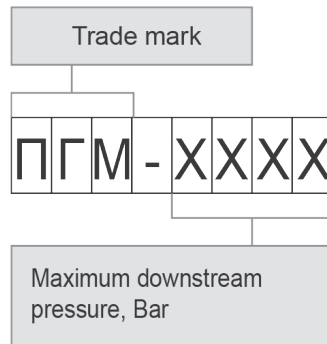


# Marking of pressure & flow regulators (trademark РЕДУТ)

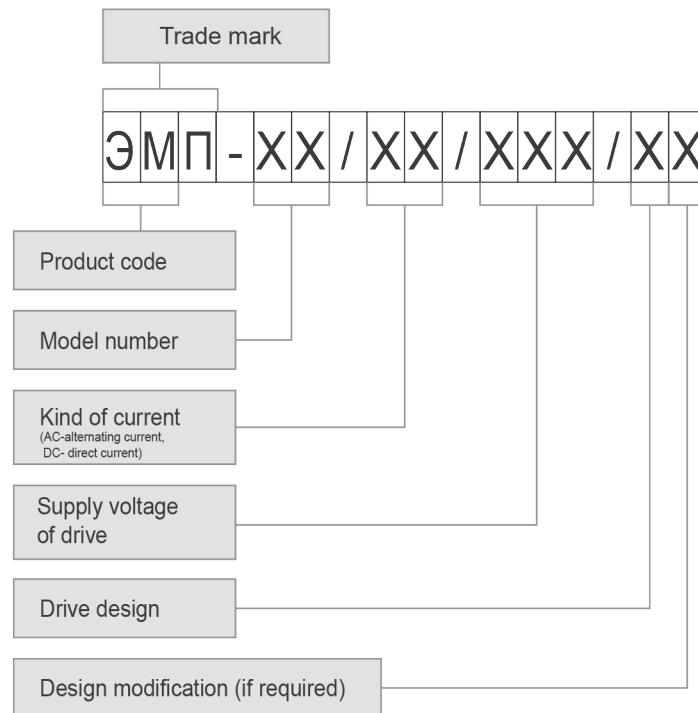




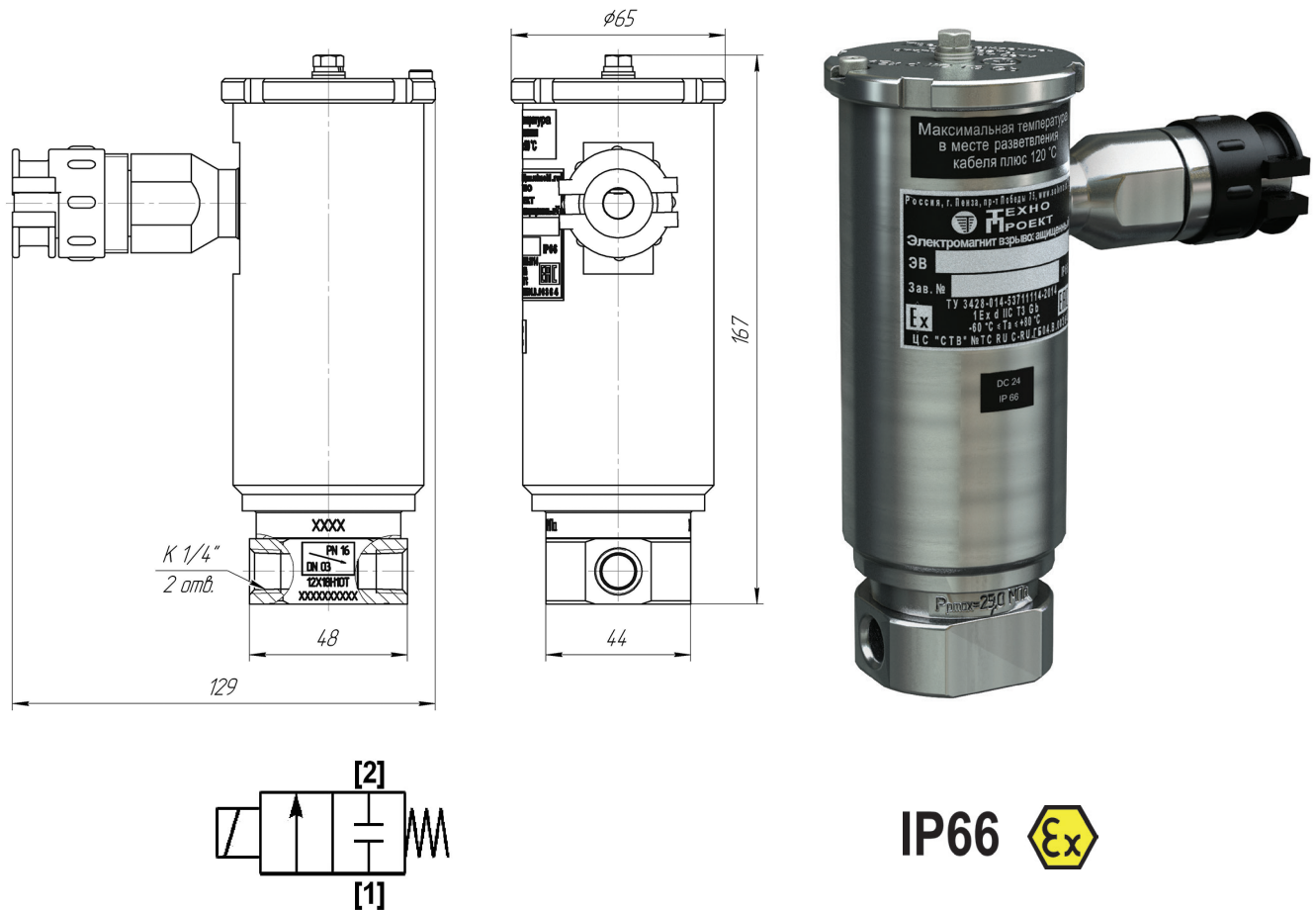
## Marking of pneumatic hydraulic multipliers (trademark ПГМ)



## Marking of solenoid drives (trademark ЭМП)



## КЭО 03/16/760/111 с ЭВ 05/DC/024/4



### SPECIFICATION:

Mode of action	direct action valve
Diameter (DN), mm	3
Operating pressure range, Bar	0...16
Pressure difference for valve performance, Bar	0...2
Type of pipeline's joint with valve	coupling (male thread) 1/4"
Normal position valve	Normally Closed
Ambient temperature, °C	-40...+45
Fluid temperature, °C	-40...+45
Coil voltage, V	24±10% DC
Capacity, W	12
Duty rating, %	100
Size, mm	129x65x167
Mass, kg	2,8

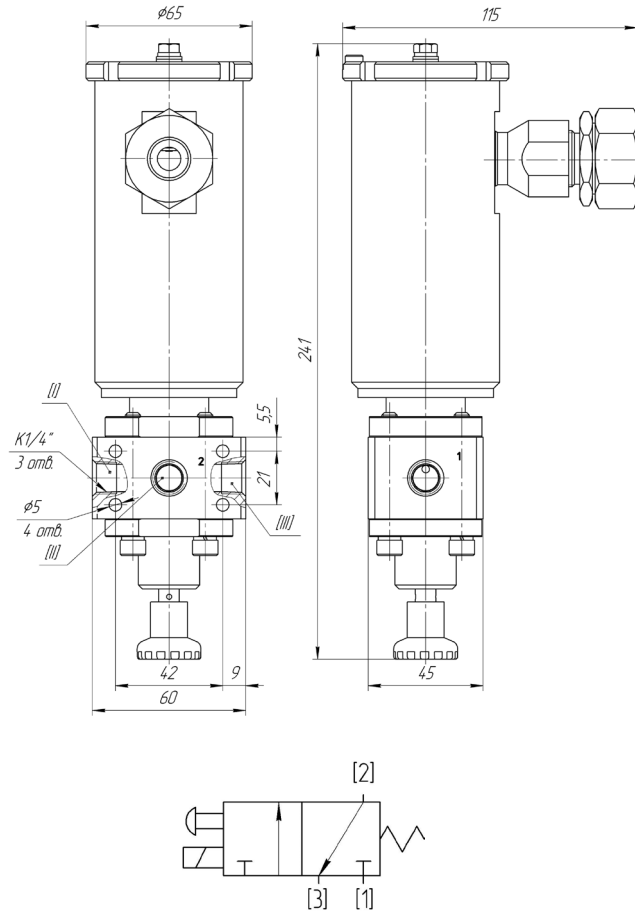
### APPLICATION:

reactive (ethyl mercaptan)
air, nitrogen, carbon dioxide gas, hydrogen, natural gas, inert gas, gaseous hydrocarbons (propane, butane, mix)
water, diesel, mineral oil, synthetic oil
gasoline (petrol)
liquefied petroleum gas (LPG)
spirit

### POSSIBLE CHANGES:

КЭО 03/16/760/111 с ЭВ 05/AC/230/4 with coil voltage 230AC
КЭО 03/16/760/112 с ЭВ 05/DC/024/4 with Normally Open position valve

## KЭO 03/20/111/411 с ЭВ 05/DC/024/1



IP66  

### SPECIFICATION:

Mode of action	direct action
Diameter (DN), mm	3
Operating pressure range, Bar	20
Pressure difference for valve performance, Bar	3...20
Type of pipeline's joint with valve	coupling (male thread)
Normal position valve	Normally Closed
Ambient temperature, 0C	-50...+45
Fluid temperature, 0C	-40...+45
Coil voltage, V	24 ±10%DC
Capacity, W	15
Duty rating, %	100
Size, mm	65x155x241
Mass, kg	3

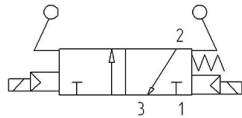
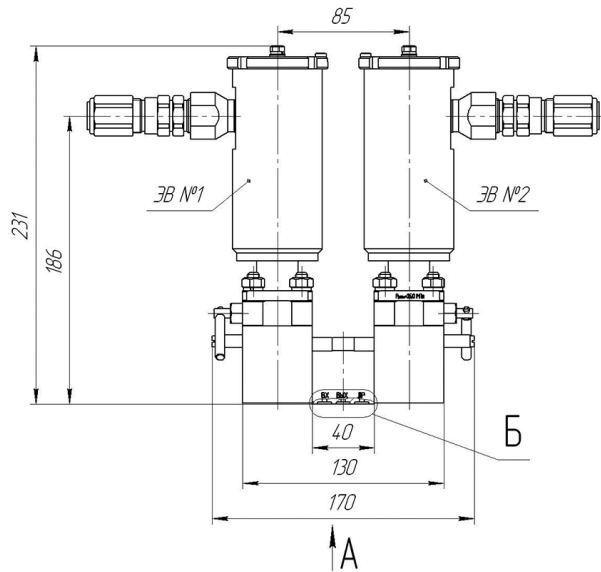
### OPTION MODULES:

reserve manual actuator

### APPLICATION:

composite hydraulic liquid

## KЭO 03/20/161/443 с ЭВ 05/DC/024/2



IP66 

### SPECIFICATION:

Mode of action	with amplifier
Diameter (DN), mm	3
Operating pressure range, Bar	20
Pressure difference for valve performance, Bar	3...20
Type of pipeline's joint with valve	butt
Normal position valve	Normally Closed
Ambient temperature, 0C	-40...+40
Fluid temperature, 0C	-40...+40
Coil voltage, V	24±10%DC
Capacity, W	21
Duty rating, %	100
Size, mm	331x65x231
Mass, kg	15

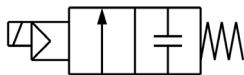
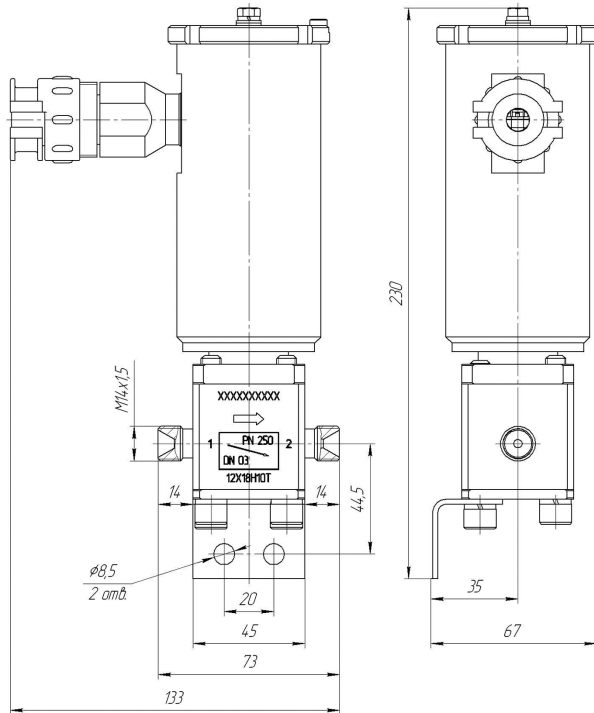
### OPTION MODULES:

reserve manual actuator

### APPLICATION:

polymethylsiloxane

## KЭO 03/250/050/123 с ЭВ 05/DC/024/3


**IP66** 
**SPECIFICATION:**

Mode of action	valve with amplifier
Diameter (DN), mm	3
Operating pressure range, Bar	3...250
Pressure difference for valve performance, Bar	0,8...250
Type of pipeline's joint with valve	outlet (female thread)
Normal position valve	Normally Closed
Ambient temperature, °C	-50...+60
Fluid temperature, °C	-40...+60 +1...+60*
Coil voltage, V	24±10% DC
Capacity, W	25
Duty rating, %	100
Size, mm	73x125x225
Mass, kg	2,7

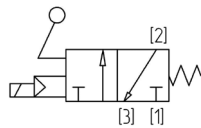
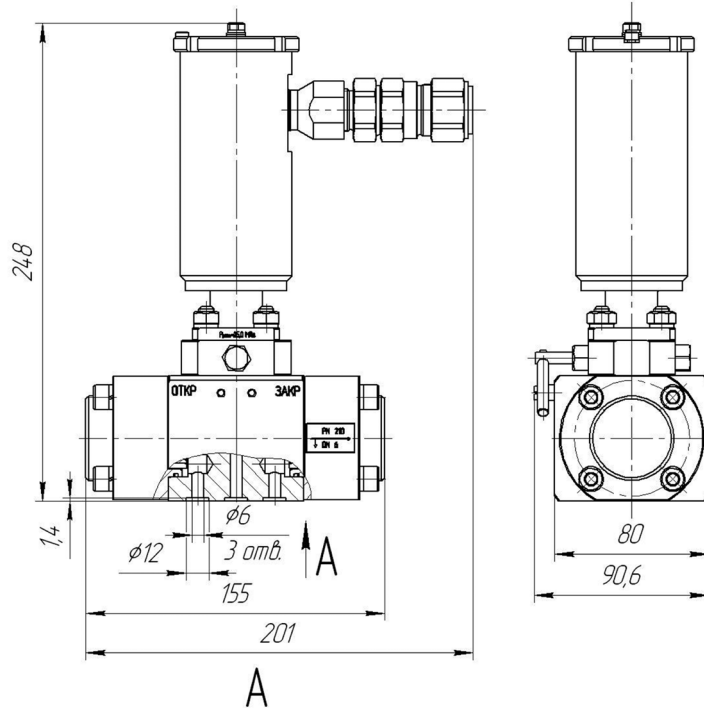
**APPLICATION:**

air, nitrogen, carbon dioxide gas, hydrogen, natural gas, inert gas, gaseous hydrocarbons (propane, butane, mix)

water\*, diesel, mineral oil, synthetic oil, gasoline (petrol), spirit



## KЭO 06/210/101/443/1 с ЭВ 05/DC/024/1



IP66 

### SPECIFICATION:

Mode of action	with amplifier
Diameter (DN), mm	6
Operating pressure range, Bar	210
Pressure difference for valve performance, Bar	90...210
Type of pipeline's joint with valve	butt
Normal position valve	Normally Closed
Ambient temperature, 0C	-40...+40
Fluid temperature, 0C	-40...+40
Coil voltage, V	24±10%DC
Capacity, W	24
Duty rating, %	100
Size, mm	91x156x248
Mass, kg	8

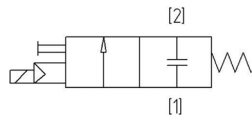
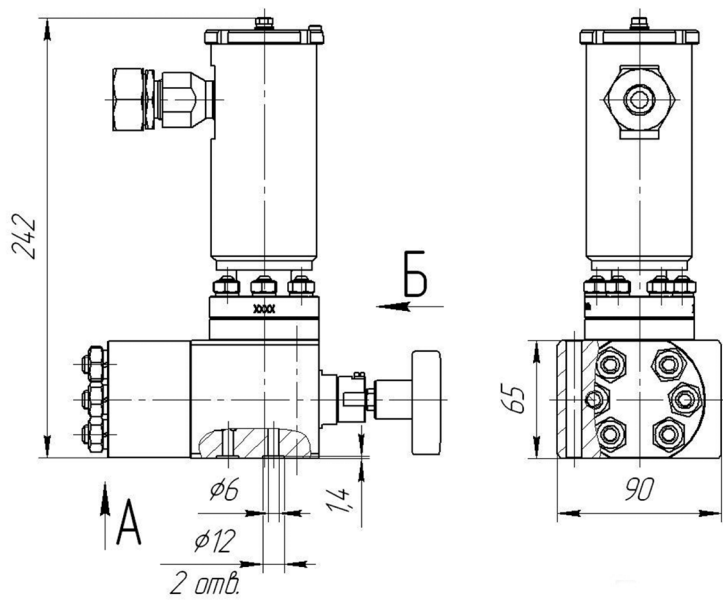
### OPTIONAL MODULES:

reserve manual indicator

### APPLICATION:

polymethylsiloxane

## KЭO 06/400/161/143 с ЭВ 05/DC/024/6



IP66 

### SPECIFICATION:

Mode of action	with amplifier
Diameter (DN), mm	6
Operating pressure range, Bar	0...400
Pressure difference for valve performance, Bar	10...400
Type of pipeline's joint with valve	butt
Normal position valve	Normally Closed
Ambient temperature, 0C	-40...+40
Fluid temperature, 0C	-40...+40
Coil voltage, V	24±10%DC
Capacity, W	24
Duty rating, %	100
Size, mm	90x197x242
Mass, kg	7,5±0,5

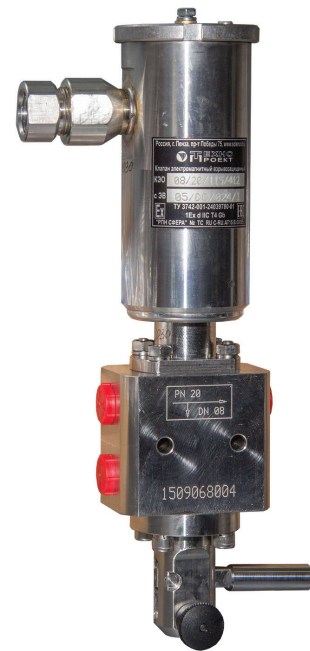
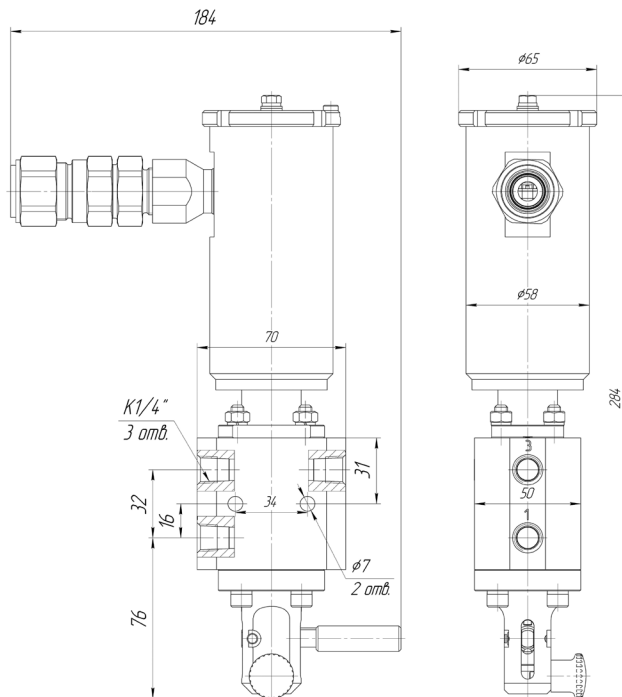
### OPTIONAL MODULES:

reserve manual actuator

### APPLICATION:

composite hydraulic liquid

## KЭO 08/20/115/412 с ЭВ 05/DC/024/1



IP66 

### SPECIFICATION:

Mode of action	Direct action
Diameter (DN), mm	8
Operating pressure range, Bar	20
Pressure difference for valve performance, Bar	4...20
Type of pipeline's joint with valve	coupling (male thread)
Normal position valve	Normally Open
Ambient temperature, 0C	-50...+45
Fluid temperature, 0C	-40...+45
Coil voltage, V	24 ±10%DC
Capacity, W	15
Duty rating, %	100
Size, mm	184x65x284
Mass, kg	3,5

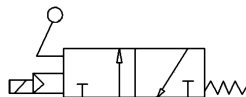
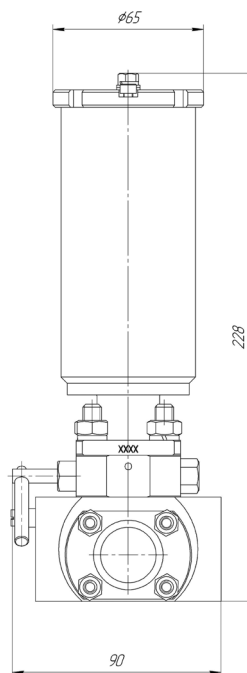
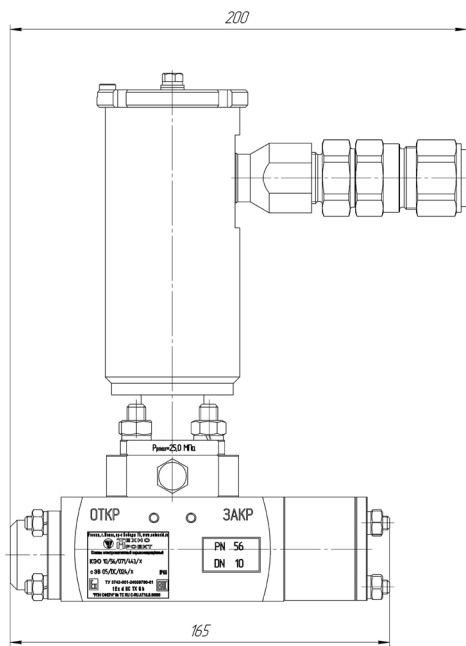
### OPTIONAL MODULES:

reserve manual actuator  
Valve Position Indicator (VPI)

### APPLICATION:

composite hydraulic liquid

## KЭО 10/56/071/443 с ЭВ 05/DC/024/4



IP66  

### SPECIFICATION:

Mode of action	valve with amplifier
Diameter (DN), mm	10
Operating pressure range, Bar	3...56
Pressure difference for valve performance, Bar	3...56
Type of pipeline's joint with valve	butt
Normal position valve	Normally Closed
Ambient temperature, °C	-40...+60
Fluid temperature, °C	-40...+70
Coil voltage, V	24±10% DC
Capacity, W	15
Duty rating, %	100
Size, mm	165x91x226
Mass, kg	6,1

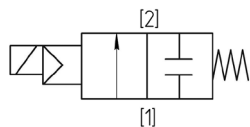
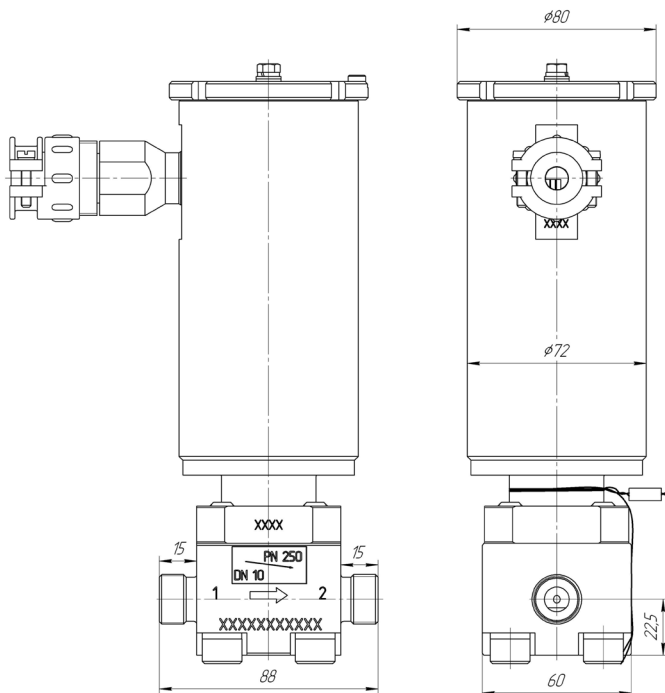
### OPTIONAL MODULES:

reserve manual actuator

### APPLICATION:

air  
natural gas

# KЭО 10/250/062/125 с ЭВ 07/AC/230/2



IP66 

## SPECIFICATION:

Mode of action	with downloadable spool piece
Diameter (DN), mm	10
Operating pressure range, Bar	0...25
Pressure difference for valve performance, Bar	0...25
Type of pipeline's joint with valve	outlet (female thread)
Normal position valve	Normally Closed
Ambient temperature, 0C	-50...+60
Fluid temperature, 0C	-50...+80
Coil voltage, V	230±10%AC
Capacity, W	
-power boost mode	200
-hold mode	10±1
Duty rating, %	100
Size, mm	80x172x260
Mass, kg	6.5

## OPTIONAL MODULES:

Valve Position indicator (VPI)

## APPLICATION:

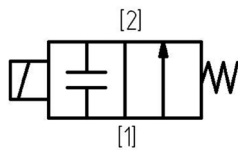
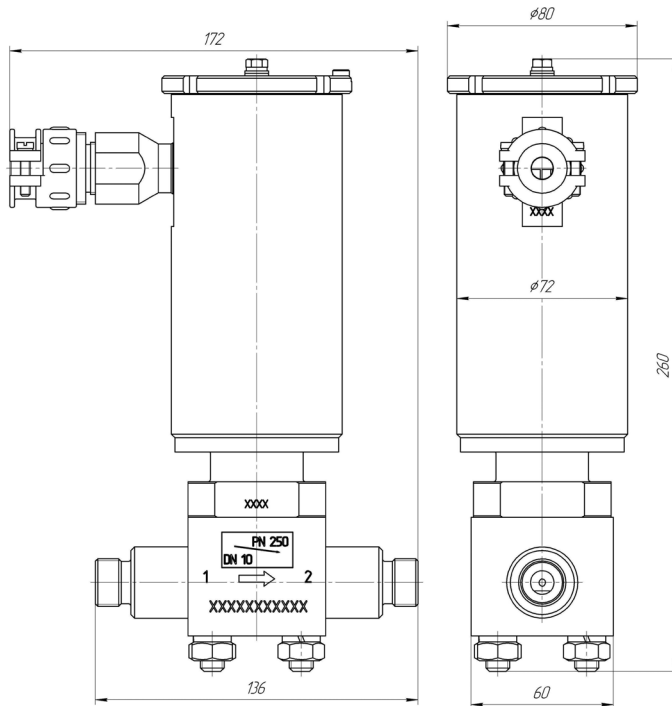
methane, natural gas

## POSSIBLE CHANGES:

KЭО 10/250/062/126 с ЭВ 07/DC/024/2



## KЭО 10/250/072/126 с ЭВ 07/AC/230/2



IP66  

### SPECIFICATION:

Mode of action	with downloadable spool piece
Diameter (DN), mm	10
Operating pressure range, Bar	0...25
Pressure difference for valve performance, Bar	0...25
Type of pipeline's joint with valve	outlet (female thread)
Normal position valve	Normally Open
Ambient temperature, 0C	-50...+60
Fluid temperature, 0C	-50...+80
Coil voltage, V	230±10%AC
Capacity, W	
- power boost mode	200
- hold mode	10±1
Duty rating, %	100
Size, mm	80x172x260
Mass, kg	6.5

### OPTIONAL MODULES:

Valve Position indicator (VPI)

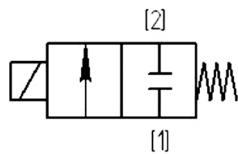
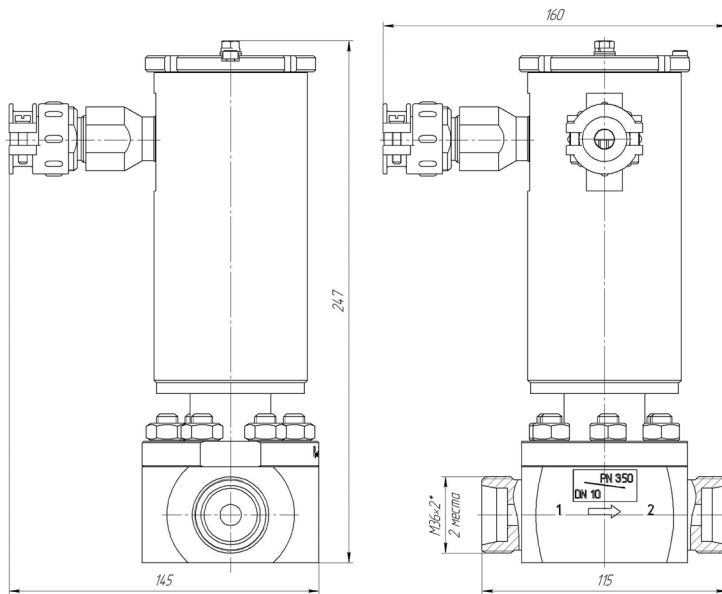
### APPLICATION:

methane, natural gas

### POSSIBLE CHANGES:

KЭО 10/250/072/126 с ЭВ 07/DC/024/2

## KЭO 10/350/662/125 с ЭВ 07/230/5



IP66  

### SPECIFICATION:

Mode of action	with downloadable spool piece
Diameter (DN), mm	10
Operating pressure range, Bar	0...35
Pressure difference for valve performance, Bar	0...35
Type of pipeline's joint with valve	outlet (female thread)
Normal position valve	Normally Closed
Ambient temperature, 0C	-60...+40
Fluid temperature, 0C	-45...+45
Coil voltage, V	230±10%AC
Capacity, W	
- power boost mode	200
- hold mode	15
Duty rating, %	100
Size, mm	165x145x260
Mass, kg	10

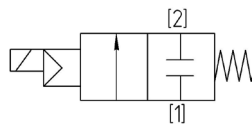
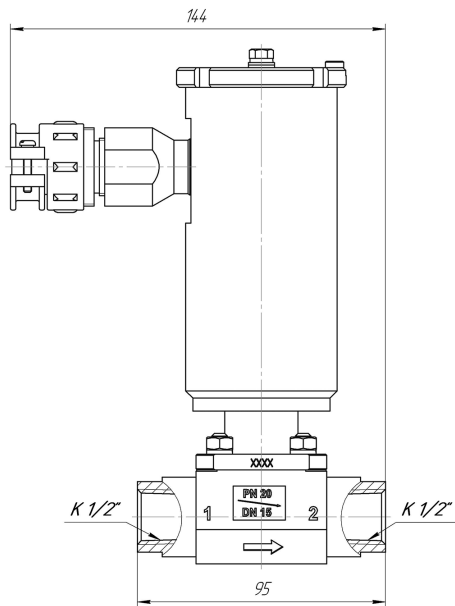
### OPTIONAL MODULES:

Valve Position indicator (VPI)

### APPLICATION:

methanol, monoethyleneglycol

## KЭО 15/20/760/115 с ЭВ 05/DC/024/4



**IP66** 

### SPECIFICATION:

Mode of action	direct action valve with downloadable spool piece
Diameter (DN), mm	15
Operating pressure range, Bar	0...20
Pressure difference for valve performance, Bar	0...10
Type of pipeline's joint with valve	coupling (male thread) 1/2"
Normal position valve	Normally Closed
Ambient temperature, °C	-40...+45
Fluid temperature, °C	-40...+45 +1*...+45
Coil voltage, V	24±10% DC
Capacity, W	18
Duty rating, %	100
Size, mm	135x51x190
Mass, kg	1,7

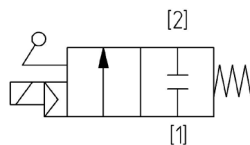
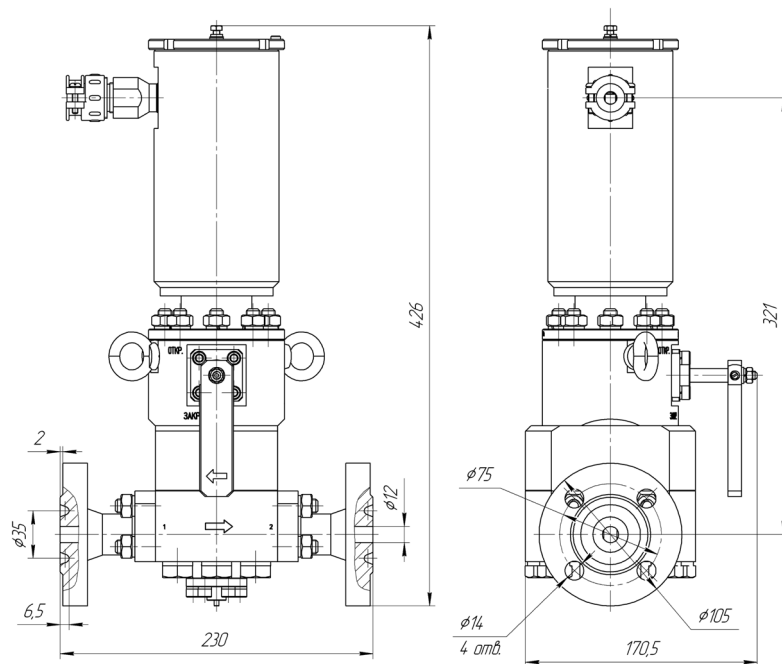
### APPLICATION:

reactive (ethyl mercaptan)
air, nitrogen, carbon dioxide gas, hydrogen, natural gas, inert gas, gaseous hydrocarbons (propane, butane, mix)
water*, diesel, mineral oil, synthetic oil
gasoline (petrol)
spirit

### POSSIBLE CHANGES:

KЭО 15/20/760/115 с ЭВ 05/AC/230/4 with coil voltage 230AC

## KЭO 15/100/174/135 с ЭВ 06/AC/230/2



IP66  

### SPECIFICATION:

Mode of action	direct action valve with downloadable spool piece
Diameter (DN), mm	15
Operating pressure range, Bar	0...100
Pressure difference for valve performance, Bar	0...100
Type of pipeline's joint with valve	flange
Normal position valve	Normally Closed
Ambient temperature, °C	-60...+40
Fluid temperature, °C	-50...+70
Coil voltage, V	230±10% AC
Capacity, W:	
- power boost mode	250
- hold mode	16
Duty rating, %	100
Size, mm	239x164,5x427
Mass, kg	24

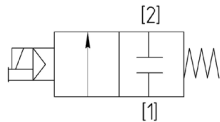
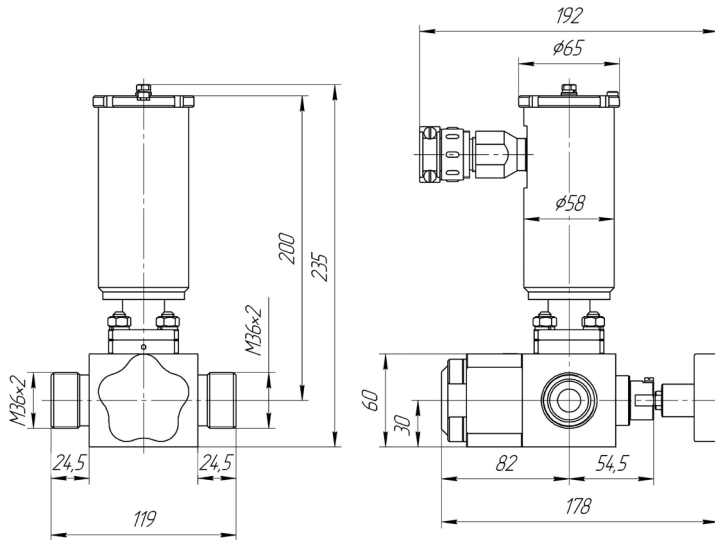
### OPTIONAL MODULES:

reserve manual actuator  
Valve Position Indicator (VPI)

### APPLICATION:

natural gaseous hydrocarbons associated petroleum gas (APG)

## KЭO 15/250/051/123/5 с ЭВ 05/AC/230/3



IP66  

### SPECIFICATION:

Mode of action	valve with amplifier
Diameter (DN), mm	15
Operating pressure range, Bar	3...250
Pressure difference for valve performance, Bar	3...250
Type of pipeline's joint with valve	outlet (female thread)
Normal position valve	Normally Closed
Ambient temperature, °C	-40...+60
Fluid temperature, °C	-50...+60
Coil voltage, V	230±10% AC
Capacity, W	25
Duty rating, %	100
Size, mm	119x180x230
Mass, kg	6,6

### OPTIONAL MODULES:

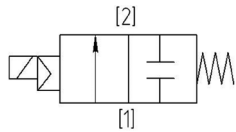
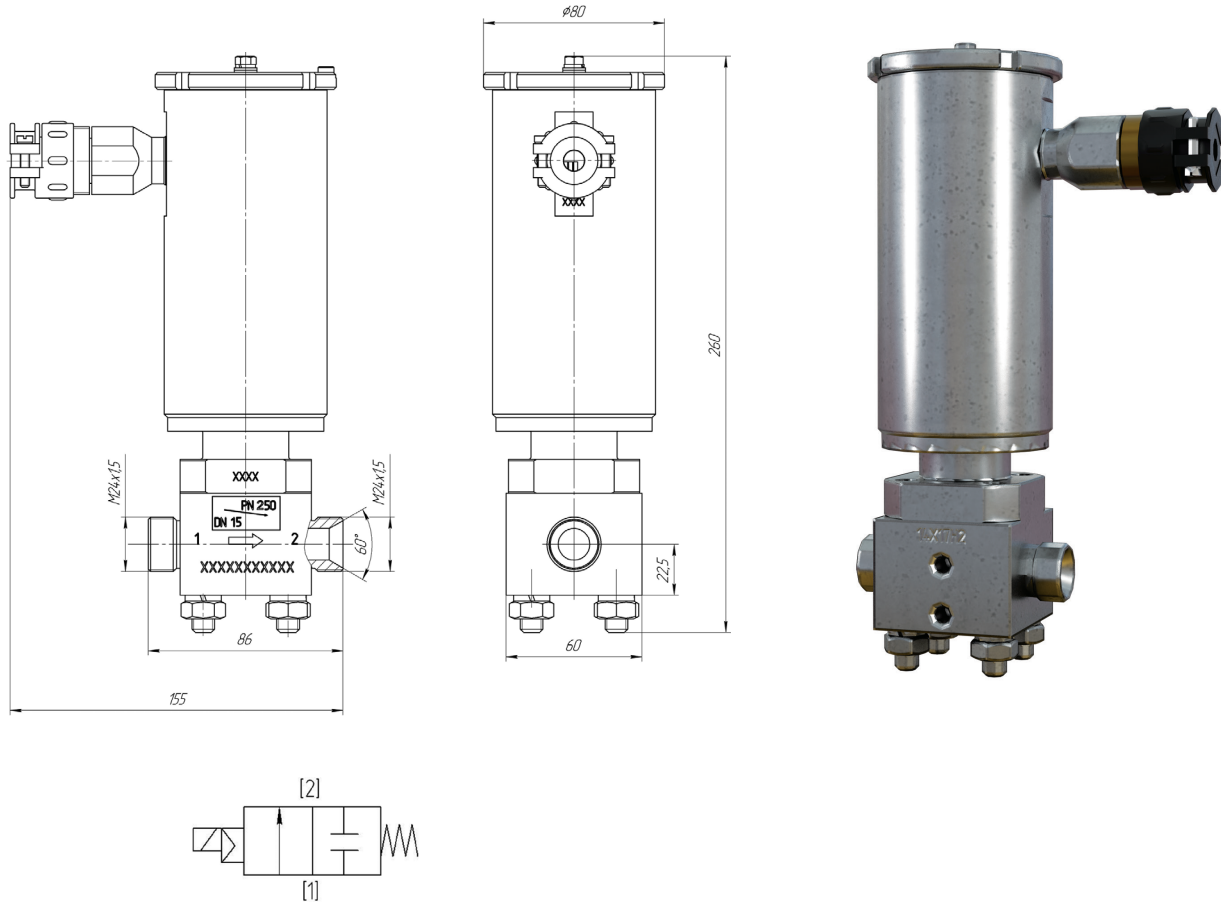
reserve manual actuator

### APPLICATION:

air, nitrogen, carbon dioxide gas, hydrogen, natural gas, inert gas, gaseous hydrocarbons (propane, butane, mix)



## KЭO 15/250/062/125 с ЭВ 07/AC/230/2



### SPECIFICATION:

Mode of action	with downloadable spool piece
Diameter (DN), mm	15
Operating pressure range, Bar	0...250
Pressure difference for valve performance, Bar	0...250
Type of pipeline's joint with valve	outlet (female thread)
Normal position valve	Normally Closed
Ambient temperature, 0C	-40...+50
Fluid temperature, 0C	-40...+45
Coil voltage, V	230±10%AC
Capacity, W	
- power boost mode	200
- hold mode	10±1
Duty rating, %	100
Size, mm	150x80x260
Mass, kg	5,8±0,5

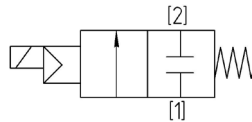
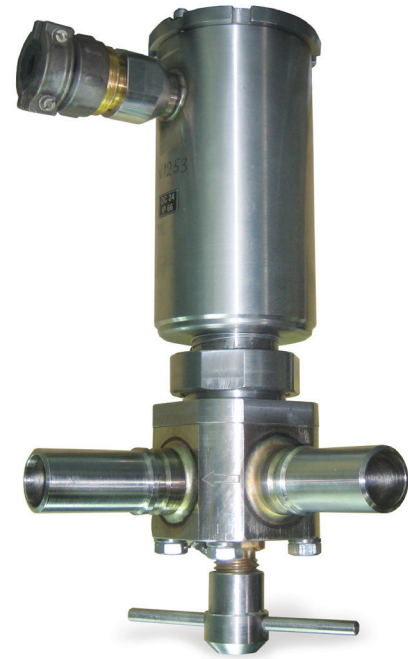
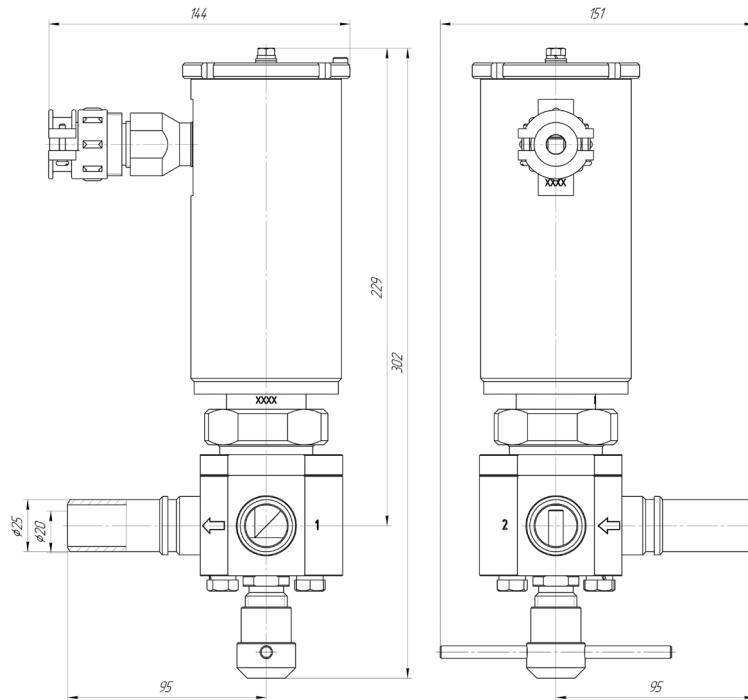
### OPTIONAL MODULES:

Valve Position Indicator (VPI)

### APPLICATION:

methane, natural gas

## KЭO 20/35/074/275 c ЭB 07/DC/024/3



IP66



### SPECIFICATION:

Mode of action	direct action valve with downloadable spool piece
Diameter (DN), mm	20
Operating pressure range, Bar	0...35
Pressure difference for valve performance, Bar	0...35
Type of pipeline's joint with valve	by weld
Normal position valve	Normally Closed
Ambient temperature, °C	+5...+40
Fluid temperature, °C	-30...+60
Coil voltage, V	24±10% DC
Capacity, W:	
- power boost mode	150
- hold mode	12
Duty rating, %	100
Size, mm	302x144x151
Mass, kg	8

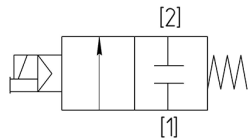
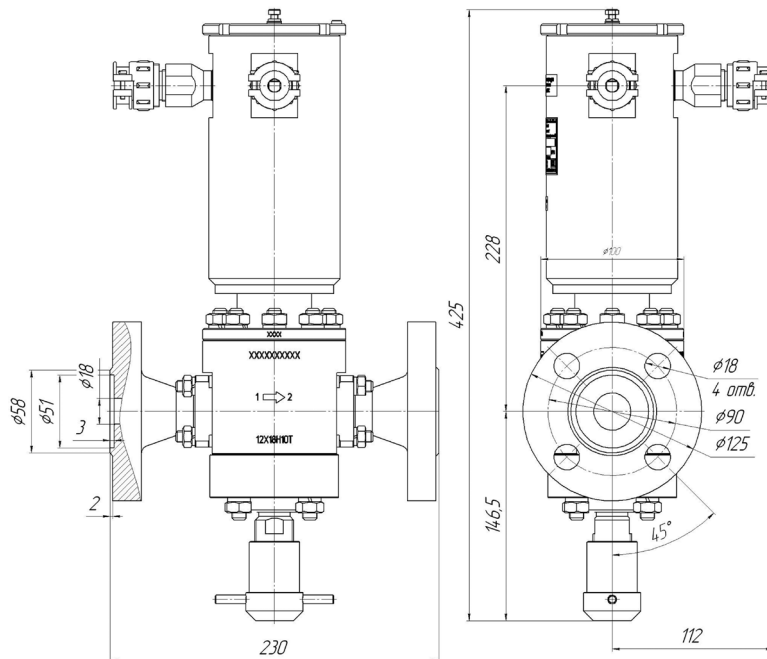
### OPTIONAL MODULES:

reserve manual actuator  
Valve Position Indicator (VPI)

### APPLICATION:

air, nitrogen, carbon dioxide gas, natural gas, inert gas, gaseous hydrocarbons (propane, butane, mix)

## KЭO 20/75/074/136 c ЭB 06/DC/024/4



IP66



### SPECIFICATION:

Mode of action	with downloadable spool piece
Diameter (DN), mm	20
Operating pressure range, Bar	0...75
Pressure difference for valve performance, Bar	0...75
Type of pipeline's joint with valve	flange
Normal position valve	Normally Open
Ambient temperature, 0C	-60...+45
Fluid temperature, 0C	-40...+100
Coil voltage, V	24±10%DC
Capacity, W	
- power boost mode	200
- hold mode	18
Duty rating, %	100
Size, mm	230x112x425
Mass, kg	20,2

### OPTIONAL MODULES:

reserve manual indicator  
Valve Position Indicator (VPI)

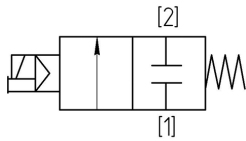
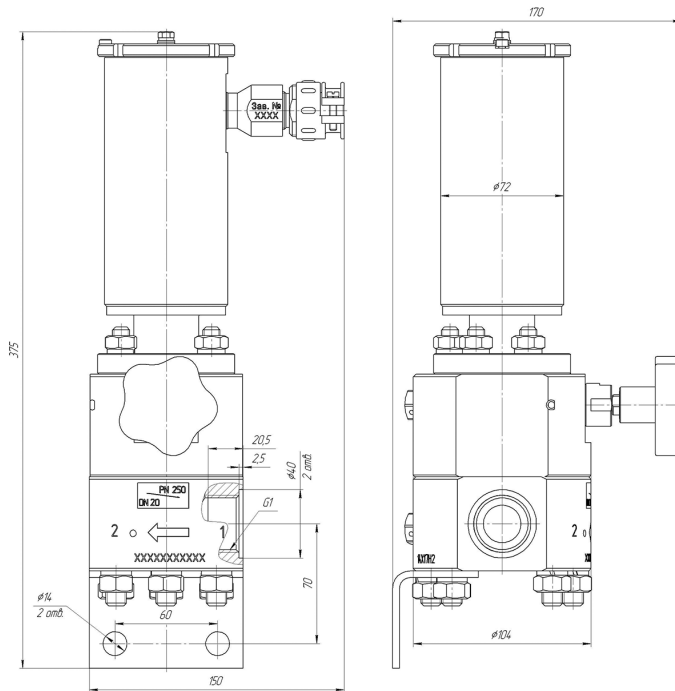
### APPLICATION:

air, nitrogen, carbon dioxide, inert gas, gaseous hydrocarbons (propane, butane, methane and mix)

### POSSIBLE CHANGES:

KЭO 20/75/074/136 c ЭB 06/AC/230/2 with coil voltage 230AC

## KЭO 20/250/054/115/1 с ЭВ 07AC/230/2



### SPECIFICATION:

Mode of action	with downloadable spool piece
Diameter (DN), mm	20
Operating pressure range, Bar	0...250
Pressure difference for valve performance, Bar	0...250
Type of pipeline's joint with valve	coupling (male thread)
Normal position valve	Normally Closed
Ambient temperature, 0C	-50...+60
Fluid temperature, 0C	-50...+60
Coil voltage, V	230±10%AC
Capacity, W	
- power boost mode	200
- hold mode	10±1
Duty rating, %	100
Size, mm	150x170x375
Mass, kg	11±1

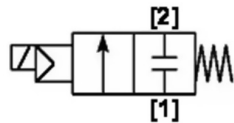
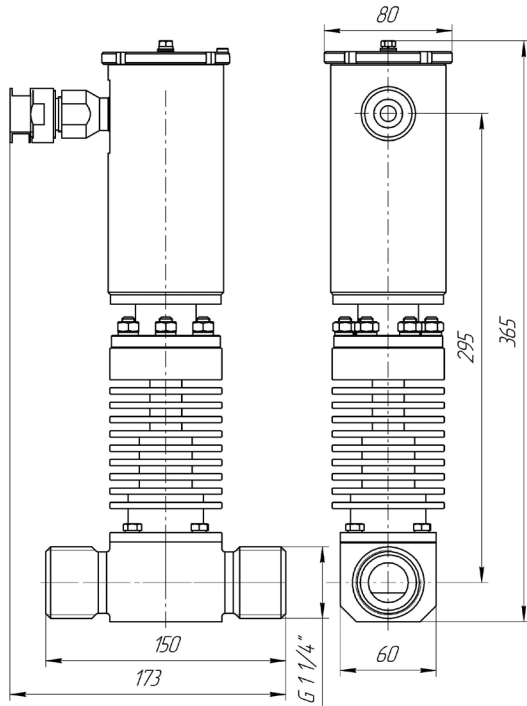
### OPTIONAL MODULES:

reserve manual actuator  
Valve Position Indicator (VPI)

### APPLICATION:

compressed natural gas

## KЭO 25/10/082/125 с ЭВ 07/DC/024/1



IP66  

### SPECIFICATION:

Mode of action	direct action valve with downloadable spool piece
Diameter (DN), mm	25
Operating pressure range, Bar	0...10
Pressure difference for valve performance, Bar	0...10
Type of pipeline's joint with valve	outlet (female thread)
Normal position valve	Normally Closed
Ambient temperature, °C	-20...+60
Fluid temperature, °C	-20...+270
Coil voltage, V	24±10% DC
Capacity, W:	
- power boost mode	200
- hold mode	14
Duty rating, %	100
Size, mm	150x70x340
Mass, kg	8,5

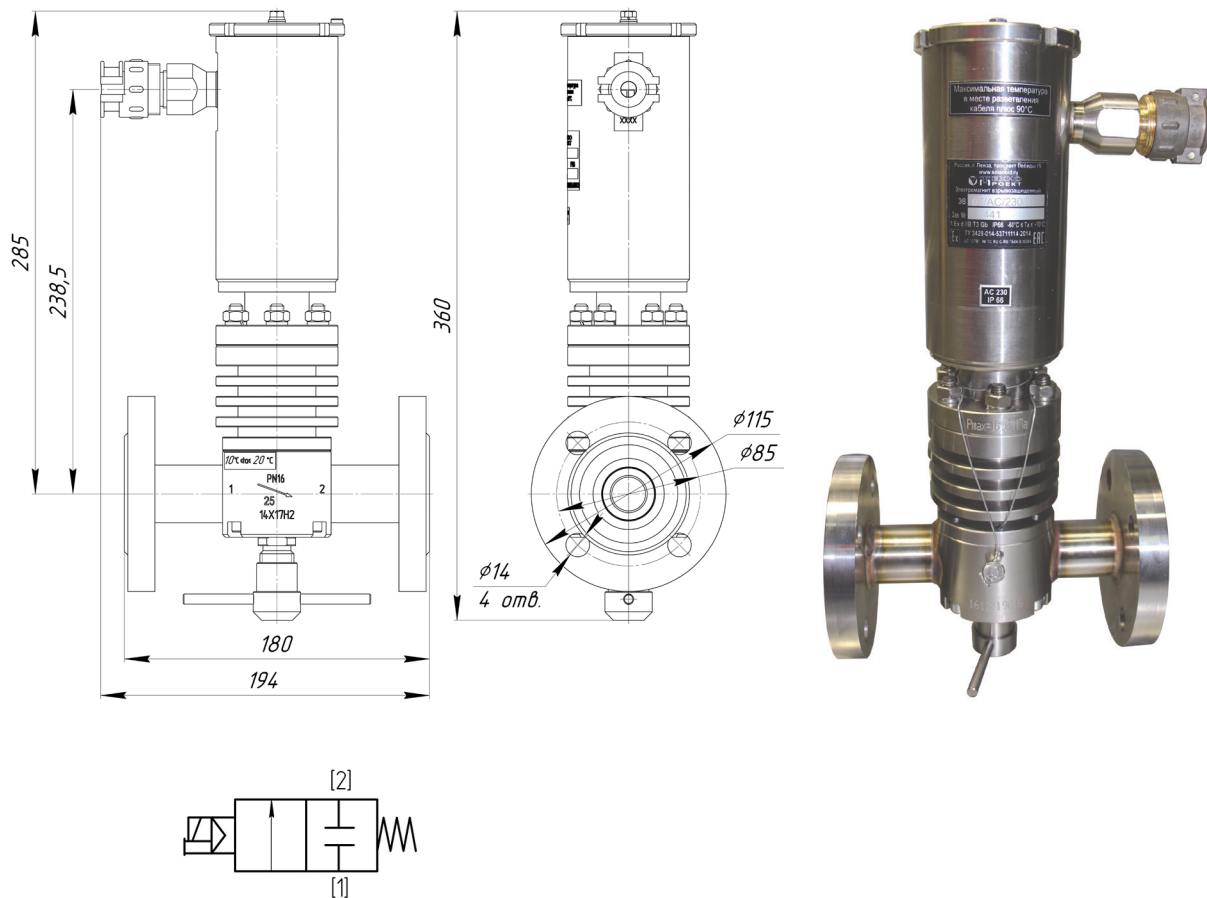
### OPTIONAL MODULES:

Valve Position Indicator (VPI)

### APPLICATION:

air, nitrogen, carbon dioxide gas, natural gas, inert gas, gaseous hydrocarbons (propane, butane, mix)

## KЭО 25/16/194/135 с ЭВ 07/AC/230/2



### SPECIFICATION:

Mode of action	with downloadable spool piece
Diameter (DN), mm	25
Operating pressure range, Bar	0...16
Pressure difference for valve performance, Bar	0...16
Type of pipeline's joint with valve	flange
Normal position valve	Normally Closed
Ambient temperature, 0C	+10...+20
Fluid temperature, 0C	0...+180
Coil voltage, V	230±10%AC
Capacity, W	
- power boost mode	200
- hold mode	8±1
Duty rating, %	100
Size, mm	194x115x360
Mass, kg	10±1

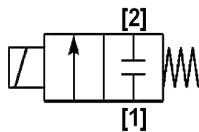
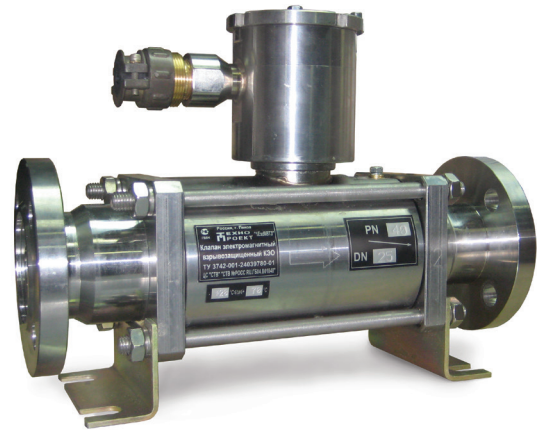
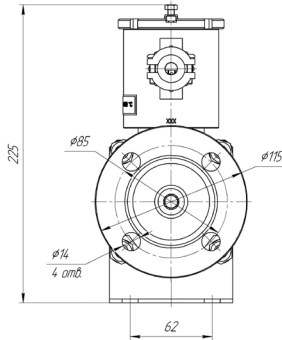
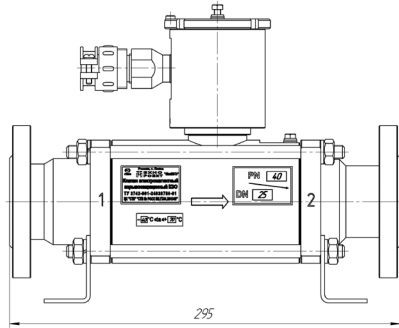
### OPTIONAL MODULES:

reserve manual actuator  
Valve Position Indicator (VPI)

### APPLICATION:

thermal oil with viscosity not more than 200 cst; air, nitrogen

# KЭO 25/40/338/131 с ЭВ 10/AC/230/1



IP66



## SPECIFICATION:

Mode of action	direct action valve
Diameter (DN), mm	25
Operating pressure range, Bar	0...40
Pressure difference for valve performance, Bar	3...30
Type of pipeline's joint with valve	flange
Normal position valve	Normally Closed
Ambient temperature, °C	+20... +70
Fluid temperature, °C	+5... +150
Coil voltage, V	230±10% AC
Capacity, W:	
- power boost mode	230
- hold mode	36
- heating mode	130
Duty rating, %	100
Size, mm	295x115x224
Mass, kg	15

## OPTIONAL MODULES:

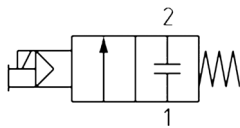
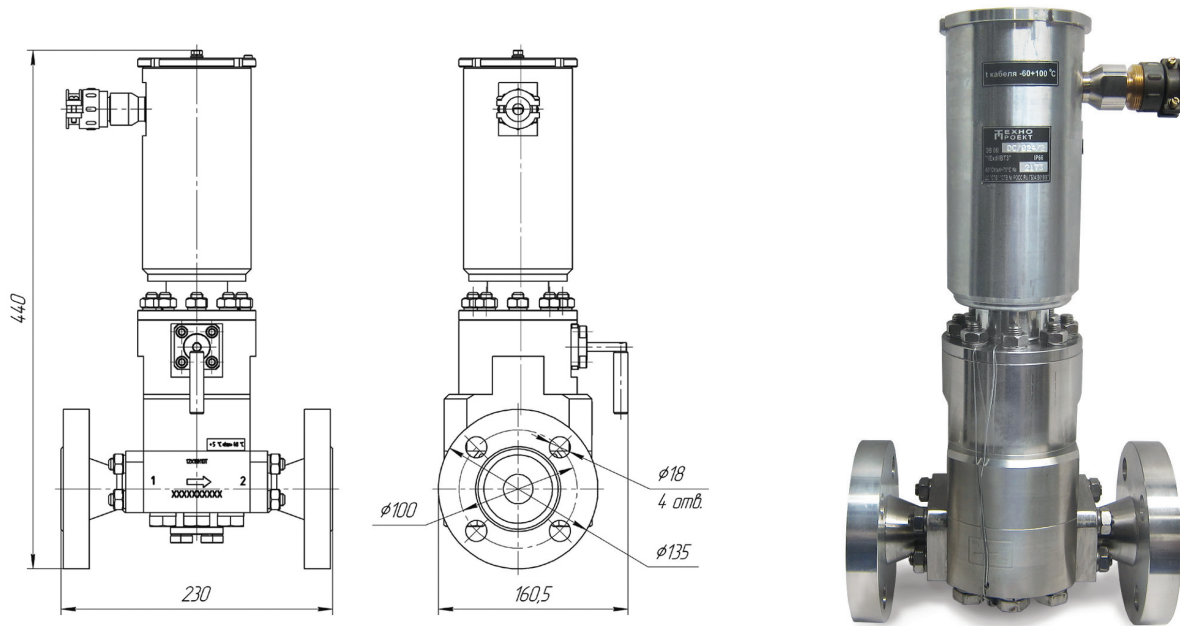
heating coil

## APPLICATION:

fuel oil



## KЭO 25/100/064/135 с ЭВ 06/DC/024/2



IP66  

### SPECIFICATION:

Mode of action	with downloadable piece tool
Diameter (DN), mm	25
Operating pressure range, Bar	100
Pressure difference for valve performance, Bar	0...100
Type of pipeline's joint with valve	flange
Normal position valve	Normally Closed
Ambient temperature, 0C	-60...+50
Fluid temperature, 0C	-10...+80
Coil voltage, V	24±10%DC
Capacity, W	
- power boost mode	200
- hold mode	16
Duty rating, %	100
Size, mm	230x160,5x440
Mass, kg	24,3

### OPTIONAL MODULES:

reserve manual actuator  
Valve Position Indicator (VPI)

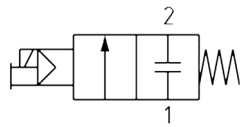
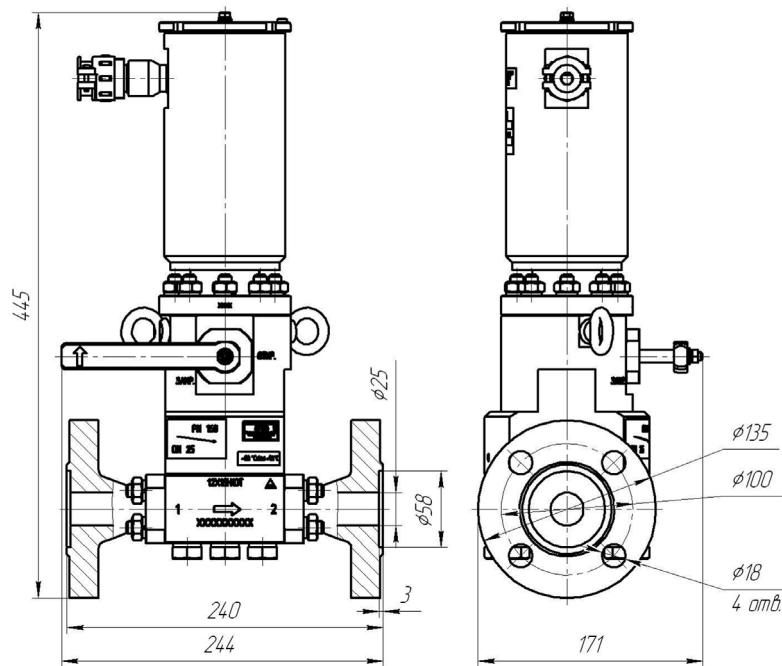
### APPLICATION:

hydrocarbon natural and associated gas;  
hydrocarbon condensate

### POSSIBLE CHANGES:

KЭO 25/100/174/135 с ЭВ 06/AC/230/2

## KЭO 25/160/074/135/4 с ЭВ 12/AC/230/2



IP66  

### SPECIFICATION:

Mode of action	direct action valve with downloadable spool piece
Diameter (DN), mm	25
Operating pressure range, Bar	0...160
Pressure difference for valve performance, Bar	0...160
Type of pipeline's joint with valve	flange
Normal position valve	Normally Closed
Ambient temperature, °C	-60...+50
Fluid temperature, °C	-10...+80
Coil voltage, V	230±10% AC
Capacity, W:	
- power boost mode	370
- hold mode	18
Duty rating, %	100
Size, mm	244x171x445
Mass, kg	28

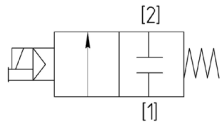
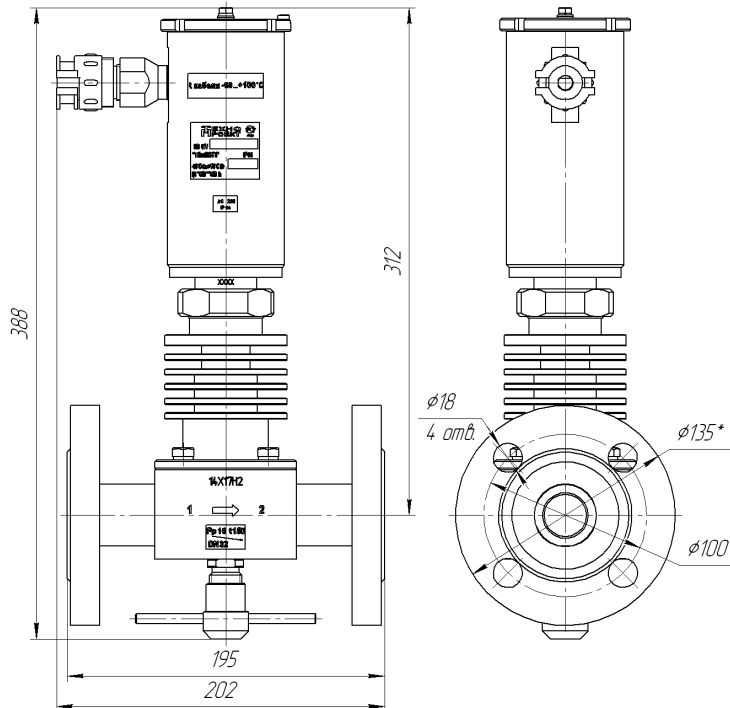
### OPTIONAL MODULES:

reserve manual actuator  
Valve Position Indicator (VPI)

### APPLICATION:

natural gaseous hydrocarbons associated petroleum gas (APG)

## KЭO 32/16/134/135 c ЭB 07/DC/024/3



IP66



### SPECIFICATION:

Mode of action	direct action valve with downloadable spool piece
Diameter (DN), mm	32
Operating pressure range, Bar	0...16
Pressure difference for valve performance, Bar	0...16
Type of pipeline's joint with valve	flange
Normal position valve	Normally Closed
Ambient temperature, °C	-20...+40
Fluid temperature, °C	-20...+150
Coil voltage, V	24 (-10+20%) DC
Capacity, W:	
- power boost mode	150
- hold mode	10
Duty rating, %	100
Size, mm	338x202x135
Mass, kg	12,5

### OPTIONAL MODULES:

reserve manual actuator  
Valve Position Indicator (VPI)

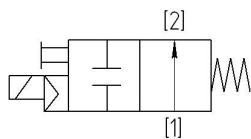
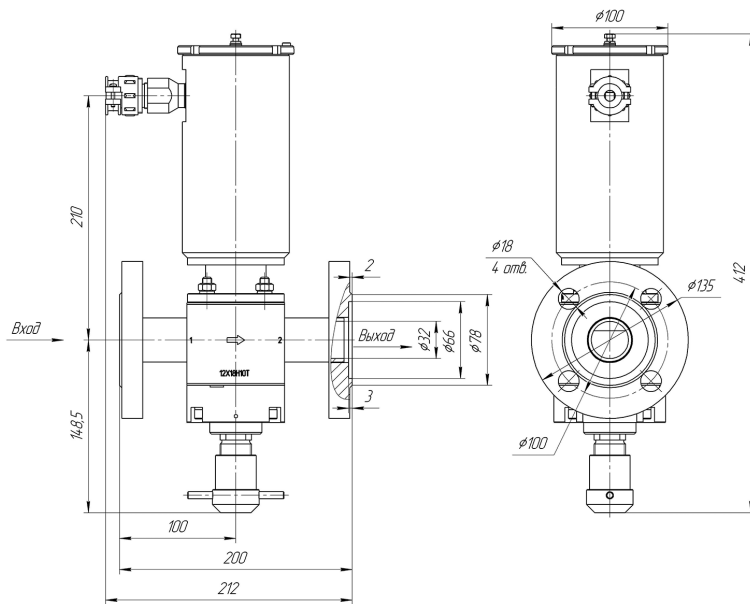
### APPLICATION:

water, diesel, mineral oil, synthetic oil

### POSSIBLE CHANGES:

KЭO 32/16/134/135 c ЭB 07/AC/230/3 with coil voltage 230AC

## KЭO 32/25/134/136 с ЭВ 06/DC/024/2



IP66  

### SPECIFICATION:

Mode of action	direct action valve with downloadable spool piece
Diameter (DN), mm	32
Operating pressure range, Bar	0...25
Pressure difference for valve performance, Bar	0...25
Type of pipeline's joint with valve	flange
Normal position valve	Normally Open
Ambient temperature, °C	-20...+40
Fluid temperature, °C	-20...+150
Coil voltage, V	24 (-10+20%) DC
Capacity, W:	
- power boost mode	200
- hold mode	22
Duty rating, %	100
Size, mm	212x135x412
Mass, kg	20

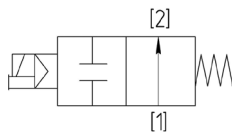
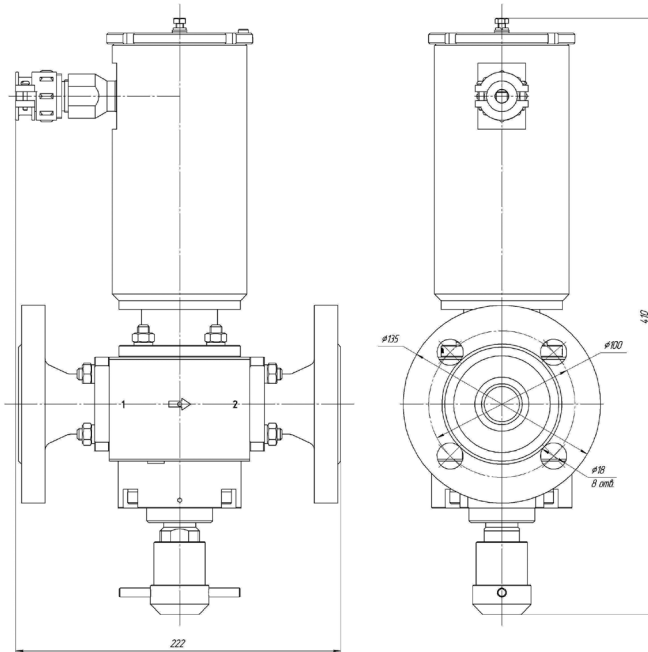
### OPTIONAL MODULES:

reserve manual actuator  
Valve Position Indicator (VPI)

### APPLICATION:

water, diesel, mineral oil, synthetic oil

## KЭО 32/40/134/136 с ЭВ 06/DC/024/2



IP66 

### SPECIFICATION:

Mode of action	with downloadable spool piece
Diameter (DN), mm	32
Operating pressure range, Bar	40
Pressure difference for valve performance, Bar	0...27
Type of pipeline's joint with valve	flange
Normal position valve	Normally Open
Ambient temperature, 0C	-60...+45
Fluid temperature, 0C	-40...+60
Coil voltage, V	24(-10...+20%)DC
Capacity, W	
- power boost mode	200
- hold mode	30
Duty rating, %	100
Size, mm	222x135x410
Mass, kg	20

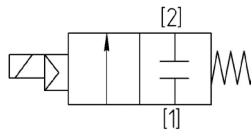
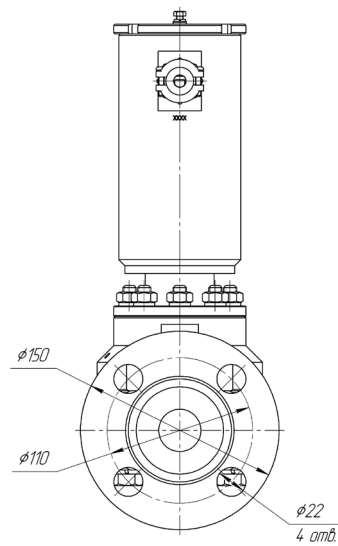
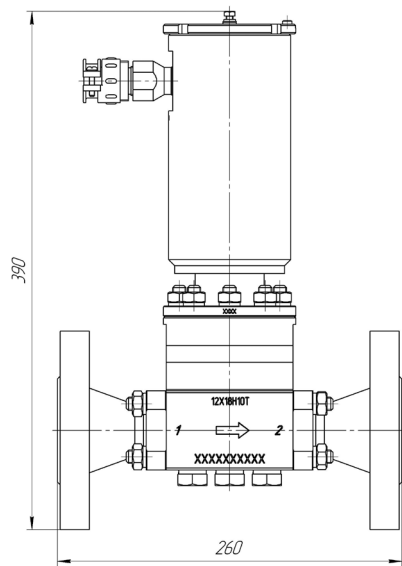
### OPTIONAL MODULES:

reserve manual actuator  
Valve Position Indicator (VPI)

### APPLICATION:

fuel gas; gas condensate

# KЭO 32/100/052/135 с ЭВ 06/DC/024/2



IP66  

## SPECIFICATION:

Mode of action	direct action valve with downloadable spool piece
Diameter (DN), mm	32
Operating pressure range, Bar	0...100
Pressure difference for valve performance, Bar	0...100
Type of pipeline's joint with valve	flange
Normal position valve	Normally Closed
Ambient temperature, °C	+5...+45
Fluid temperature, °C	0...+60
Coil voltage, V	24 (-10+20%) DC
Capacity, W:	
- power boost mode	300
- hold mode	20
Duty rating, %	100
Size, mm	260x150x390
Mass, kg	26

## OPTIONAL MODULES:

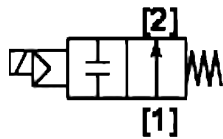
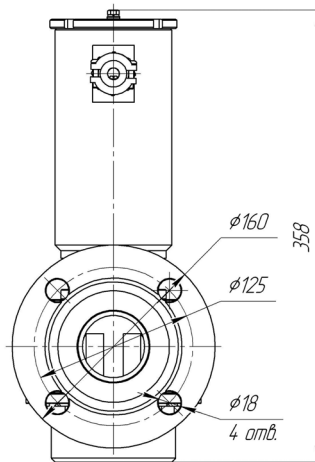
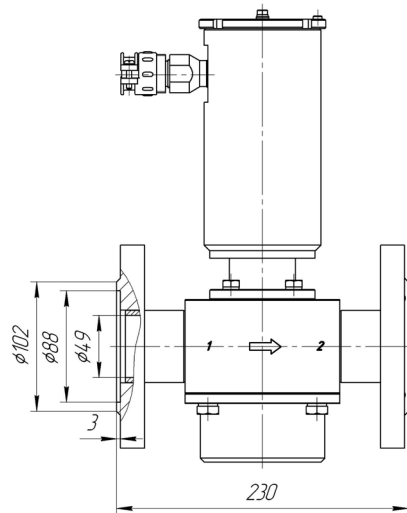
Valve Position Indicator (VPI)

## APPLICATION:

natural gaseous hydrocarbons associated petroleum gas (APG)



## KЭО 50/10/070/136 с ЭВ 06/AC/230/2



IP66 

### SPECIFICATION:

Mode of action	direct action valve
Diameter (DN), mm	50
Operating pressure range, Bar	0...10
Pressure difference for valve performance, Bar	0...10
Type of pipeline's joint with valve	flange
Normal position valve	Normally Open
Ambient temperature, °C	+5...+50
Fluid temperature, °C	+5...+100
Coil voltage, V	230±10% AC
Capacity, W:	
- power boost mode	220
- hold mode	20
Duty rating, %	100
Size, mm	230x160x356
Mass, kg	23

### OPTIONAL MODULES:

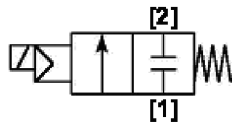
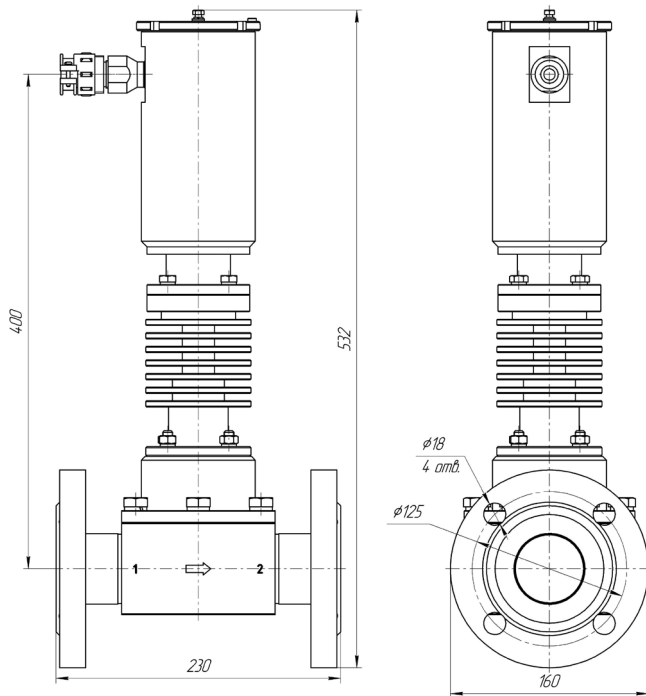
Valve Position Indicator (VPI)

### APPLICATION:

air, nitrogen, carbon dioxide gas, natural gas, inert gas, gaseous hydrocarbons (propane, butane, mix)



## KЭO 50/10/082/135 c ЭB 06/DC/024/1



IP66  

### SPECIFICATION:

Mode of action	direct action valve with downloadable spool piece
Diameter (DN), mm	50
Operating pressure range, Bar	0...10
Pressure difference for valve performance, Bar	0...10
Type of pipeline's joint with valve	flange
Normal position valve	Normally Closed
Ambient temperature, °C	-20...+60
Fluid temperature, °C	-20...+200
Coil voltage, V	24±10% DC
Capacity, W:	
- power boost mode	250
- hold mode	30
Duty rating, %	100
Size, mm	230x160x532
Mass, kg	27

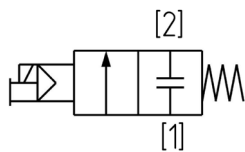
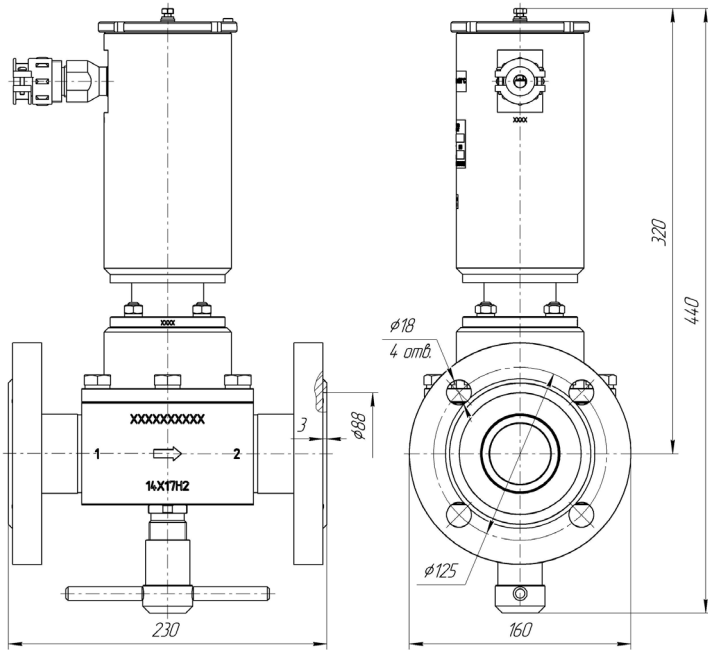
### OPTIONAL MODULES:

Valve Position Indicator (VPI)

### APPLICATION:

air, gaseous hydrocarbons

## KЭO 50/10/124/135 с ЭВ 06/DC/024/2



IP66 

### SPECIFICATION:

Mode of action	direct action valve with downloadable spool piece
Diameter (DN), mm	50
Operating pressure range, Bar	0 ... 10
Pressure difference for valve performance, Bar	0 ... 10
Type of pipeline's joint with valve	flange
Normal position valve	Normally Closed
Ambient temperature, °C	-50...+60
Fluid temperature, °C	-40...+70
Coil voltage, V	24±10% DC, 230±10% AC
Capacity, W:	
- power boost mode	250
- hold mode	20
Duty rating, %	100
Size, mm	230x160x440
Mass, kg	25

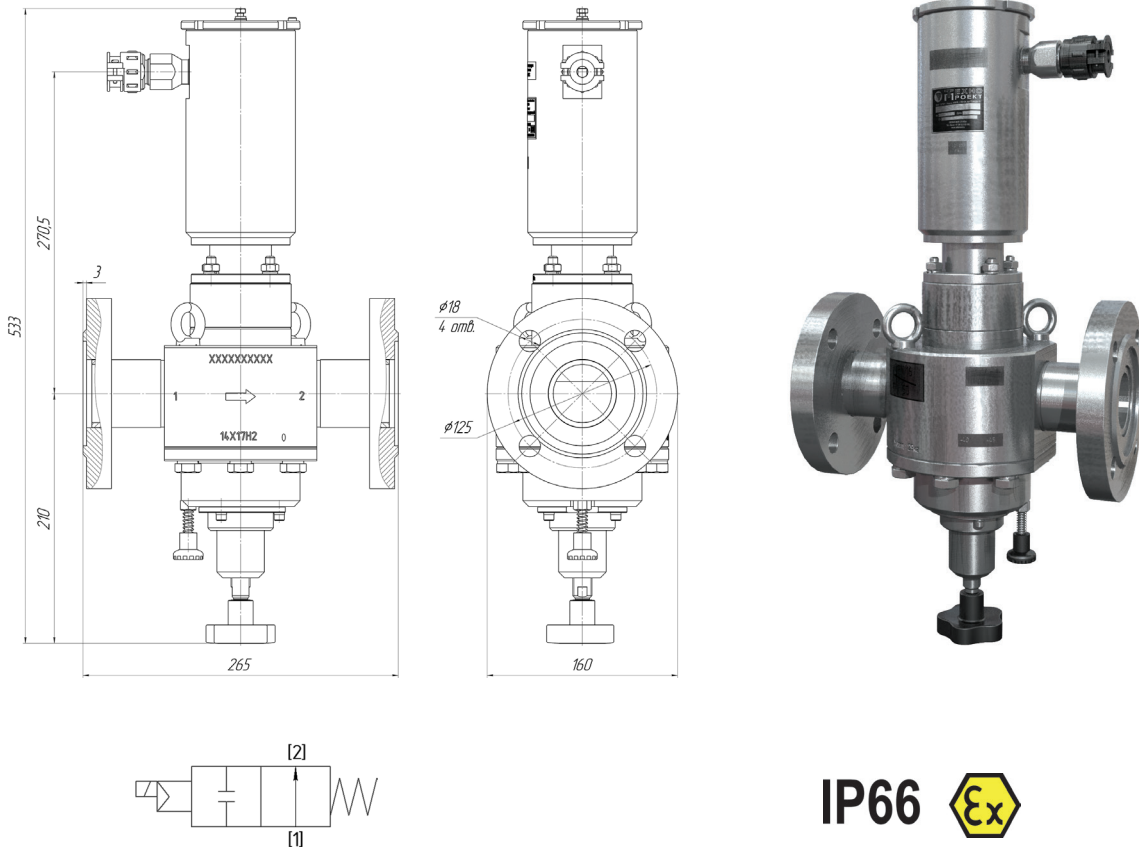
### OPTIONAL MODULES:

reserve manual actuator  
Valve Position Indicator (VPI)

### APPLICATION:

water, diesel, mineral oil, synthetic oil

## KЭO 50/16/074/136/4 c ЭB 06/DC/024/2



### SPECIFICATION:

Mode of action	direct action valve with downloadable spool piece
Diameter (DN), mm	50
Operating pressure range, Bar	0...16
Pressure difference for valve performance, Bar	0...16
Type of pipeline's joint with valve	flange
Normal position valve	Normally Open
Ambient temperature, °C	-32...+60
Fluid temperature, °C	0...+50
Coil voltage, V	24±10% DC
Capacity, W:	
- power boost mode	250
- hold mode	20
Duty rating, %	100
Size, mm	265x160x533
Mass, kg	27

### OPTIONAL MODULES:

reserve manual actuator  
Valve Position Indicator (VPI)

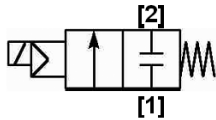
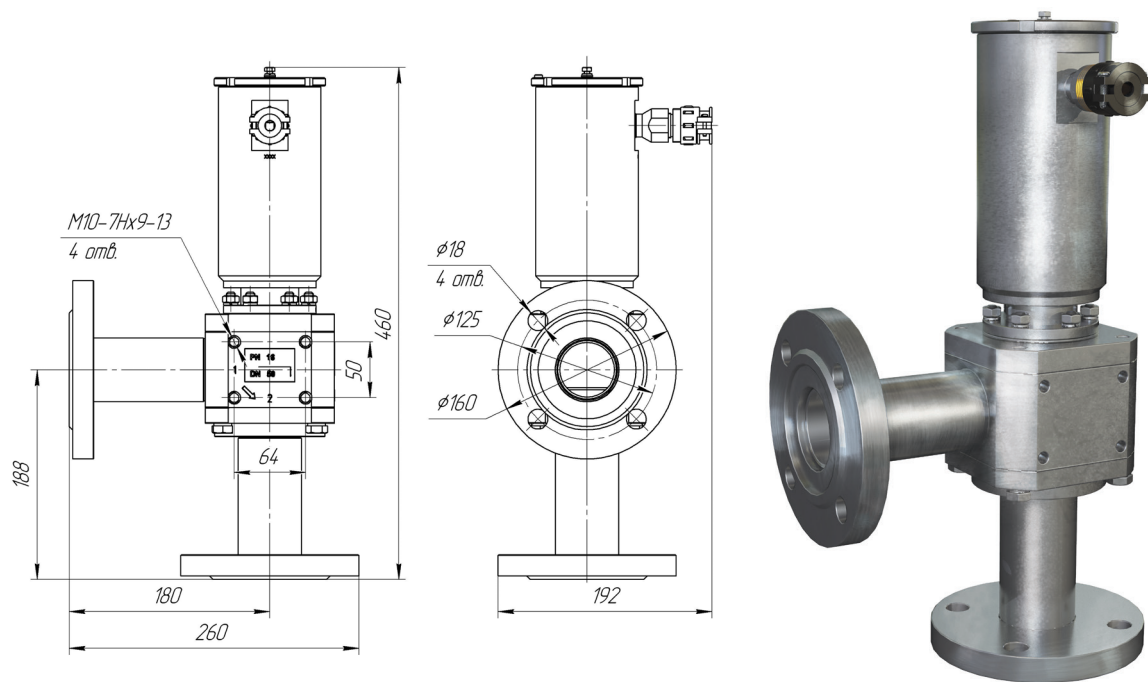
### APPLICATION:

air, nitrogen, carbon dioxide gas, natural gas, inert gas, gaseous hydrocarbons (propane, butane, mix)

### POSSIBLE CHANGES:

KЭO 50/16/074/136/4 c ЭB 06/AC/230/2 with coil voltage 230AC

## KЭO 50/16/092/235/1 c ЭB 06/DC/024/2



IP66  

### SPECIFICATION:

Mode of action	direct action valve with downloadable spool piece
Diameter (DN), mm	50
Operating pressure range, Bar	0...16
Pressure difference for valve performance, Bar	0...16
Type of pipeline's joint with valve	flange
Normal position valve	Normally Closed
Ambient temperature, °C	-60...+70
Fluid temperature, °C	-30...+180
Coil voltage, V	24±10% DC
Capacity, W:	
- power boost mode	120
- hold mode	20
Duty rating, %	100
Size, mm	460x192x260
Mass, kg	20

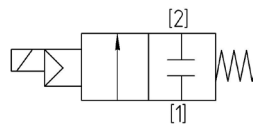
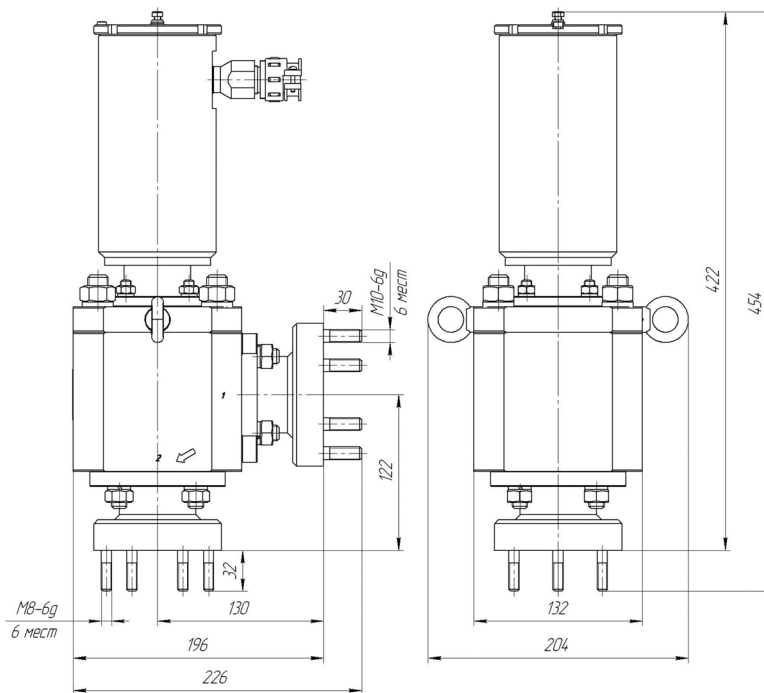
### OPTIONAL MODULES:

Valve Position Indicator (VPI)

### APPLICATION:

air, nitrogen, carbon dioxide gas, natural gas, inert gas, gaseous hydrocarbons (propane, butane, mix)

## KЭO 50/40/072/235 с ЭВ 06/DC/024/2



IP66 

### SPECIFICATION:

Mode of action	direct action valve with downloadable spool piece
Diameter (DN), mm	50
Pressure difference for valve performance, Bar	40
Pressure difference for valve performance, Bar	0...40
Type of pipeline's joint with valve	flange
Normal position valve	Normally Closed
Ambient temperature, °C	-60...+70
Fluid temperature, °C	-40...+100
Coil voltage, V	24 (-10%+20%) DC
Capacity, W:	
- power boost mode	150
- hold mode	20
Duty rating, %	100
Size, mm	226x204x454
Mass, kg	28

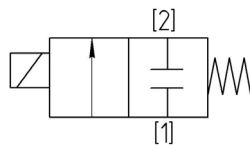
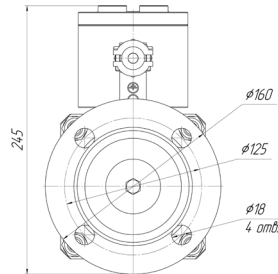
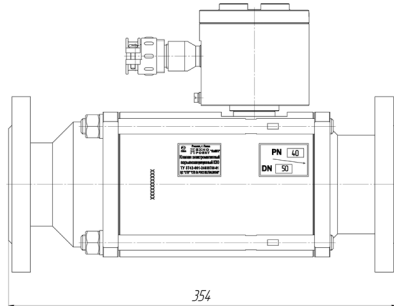
### OPTIONAL MODULES:

Valve Position Indicator (VPI)

### APPLICATION:

air, nitrogen, carbon dioxide gas, natural gas, inert gas, gaseous hydrocarbons (propane, butane, mix)

# КЭО 50/40/338/131 с ЭВ 08/AC/230/1



IP66



## SPECIFICATION:

Mode of action	direct action valve
Diameter (DN), mm	50
Operating pressure range, Bar	0...40
Pressure difference for valve performance, Bar	0...40
Type of pipeline's joint with valve	flange
Normal position valve	Normally Closed
Ambient temperature, °C	+5...+70
Fluid temperature, °C	+5...+150
Coil voltage, V	230±10% AC
Capacity, W:	
- power boost mode	300
- hold mode	40
- heating mode	120
Duty rating, %	100
Size, mm	354x160x245
Mass, kg	27,3

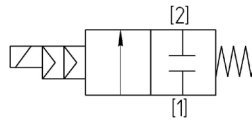
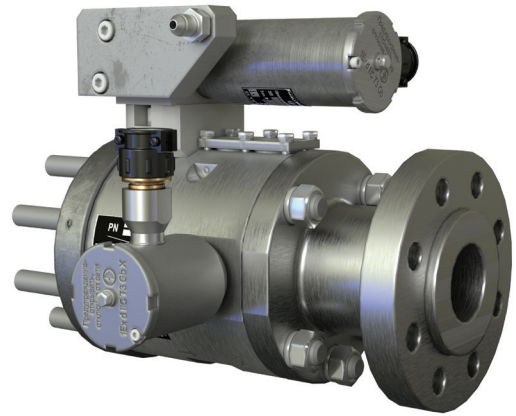
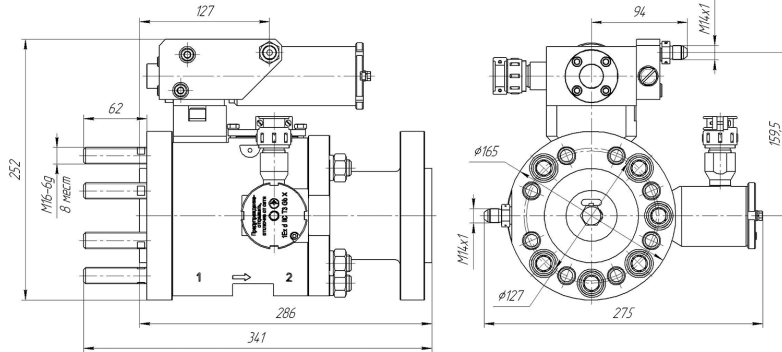
## OPTIONAL MODULES:

heating coil

## APPLICATION:

fuel oil

## KЭO 50/75/072/133 с ЭВ 05/DC/024/3



IP66  

### SPECIFICATION:

Mode of action	valve with amplifier
Diameter (DN), mm	50
Operating pressure range, Bar	0...75
Pressure difference for valve performance, Bar	6...75
Type of pipeline's joint with valve	2" ANSI B16,5
Normal position valve	Normally Closed
Ambient temperature, °C	-40...+60
Fluid temperature, °C	-40...+100
Coil voltage, V	24±10% DC
Capacity, W	20
Duty rating, %	100
Size, mm	341x252x275
Mass, kg	35

### OPTIONAL MODULES:

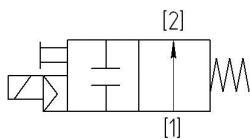
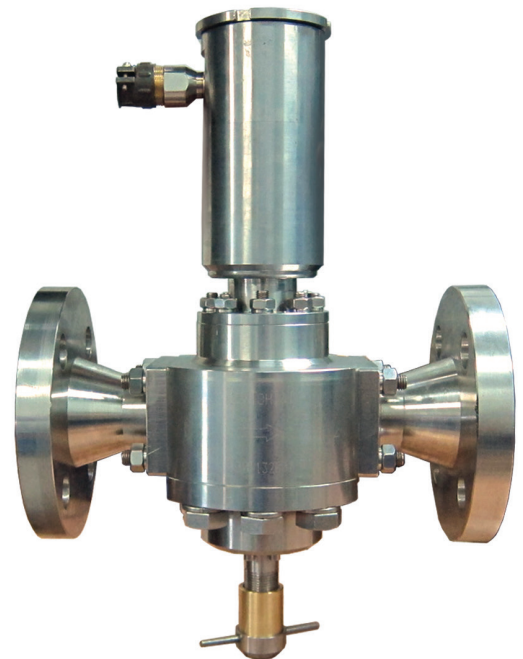
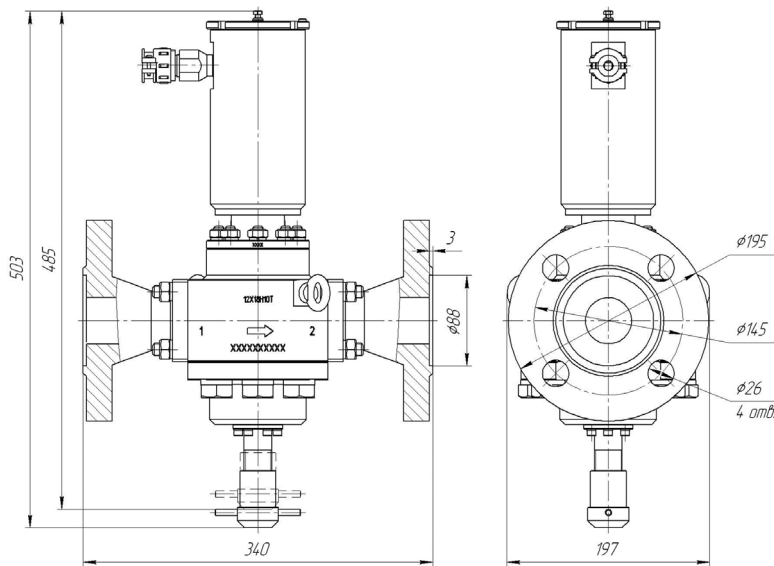
Valve Position Indicator (VPI)

### APPLICATION:

air, nitrogen, carbon dioxide gas, hydrogen, natural gas, inert gas, gaseous hydrocarbons (propane, butane, mix)



## KЭO 50/100/054/136 с ЭВ 06/DC/024/2



IP66  

### SPECIFICATION:

Mode of action	direct action valve with downloadable spool piece
Diameter (DN), mm	50
Operating pressure range, Bar	0...100
Pressure difference for valve performance, Bar	0...100
Type of pipeline's joint with valve	flange
Normal position valve	Normally Open
Ambient temperature, °C	-60...+50
Fluid temperature, °C	-40...+60
Coil voltage, V	24±10% DC
Capacity, W:	
- power boost mode	300
- hold mode	30
Duty rating, %	100
Size, mm	340x195x503
Mass, kg	41

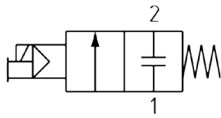
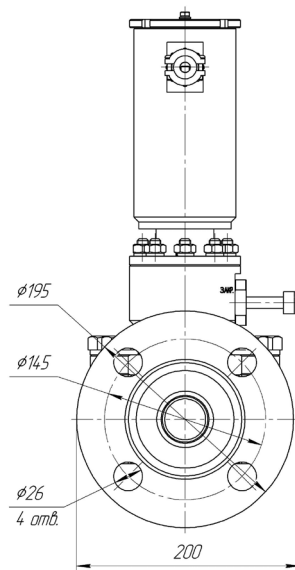
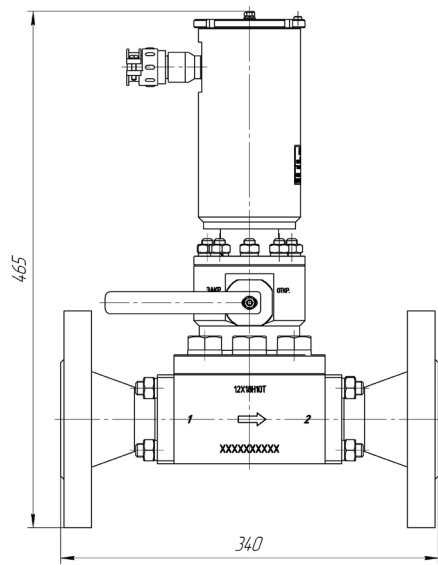
### OPTIONAL MODULES:

reserve manual actuator  
Valve Position Indicator (VPI)

### APPLICATION:

air, nitrogen, carbon dioxide gas, natural gas, inert gas, gaseous hydrocarbons (propane, butane, mix)

## KЭО 50/100/064/135 с ЭВ 06/DC/024/2



IP66  

### SPECIFICATION:

Mode of action	direct action valve with downloadable spool piece
Diameter (DN), mm	50
Operating pressure range, Bar	0...100
Pressure difference for valve performance, Bar	0...100
Type of pipeline's joint with valve	flange
Normal position valve	Normally Closed
Ambient temperature, °C	-50...+50
Fluid temperature, °C	+10...+60
Coil voltage, V	24±10% DC
Capacity, W:	
- power boost mode	300
- hold mode	16
Duty rating, %	100
Size, mm	340x224x540
Mass, kg	40

### OPTIONAL MODULES:

reserve manual actuator  
Valve Position Indicator (VPI)

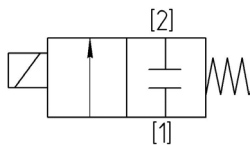
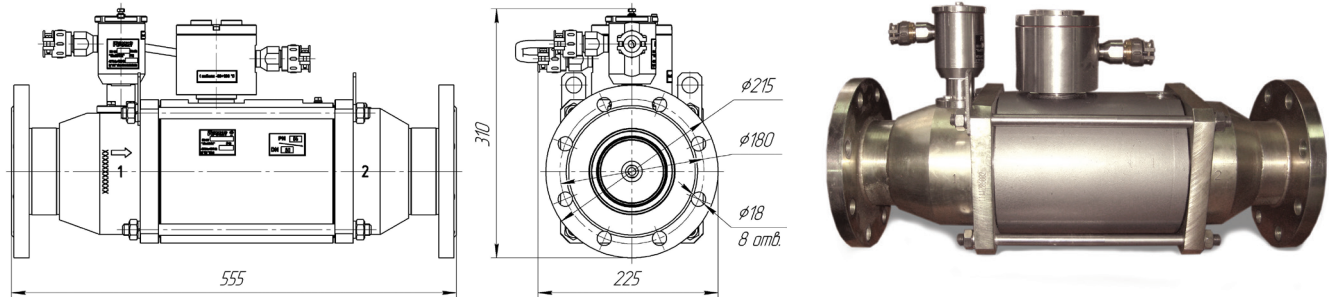
### APPLICATION:

natural gaseous hydrocarbons associated petroleum gas (APG)

### POSSIBLE CHANGES:

KЭО 50/100/064/135 с ЭВ 06/AC/230/2 with coil voltage 230AC

## KЭО 80/06/328/131 с ЭВ 09/AC/230/2



IP66



### SPECIFICATION:

Mode of action	direct action valve
Diameter (DN), mm	80
Operating pressure range, Bar	0...6
Pressure difference for valve performance, Bar	0...6
Type of pipeline's joint with valve	flange
Normal position valve	Normally Closed
Ambient temperature, °C	-40...+55
Fluid temperature, °C	+40...+120
Coil voltage, V	230±10% AC
Capacity, W:	
- power boost mode	300
- hold mode	60
- heating mode	250
Duty rating, %	100
Size, mm	555x225x310
Mass, kg	60

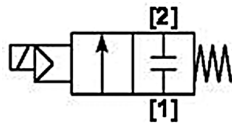
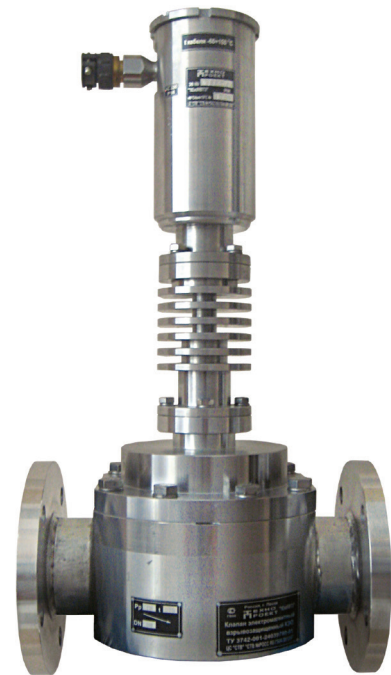
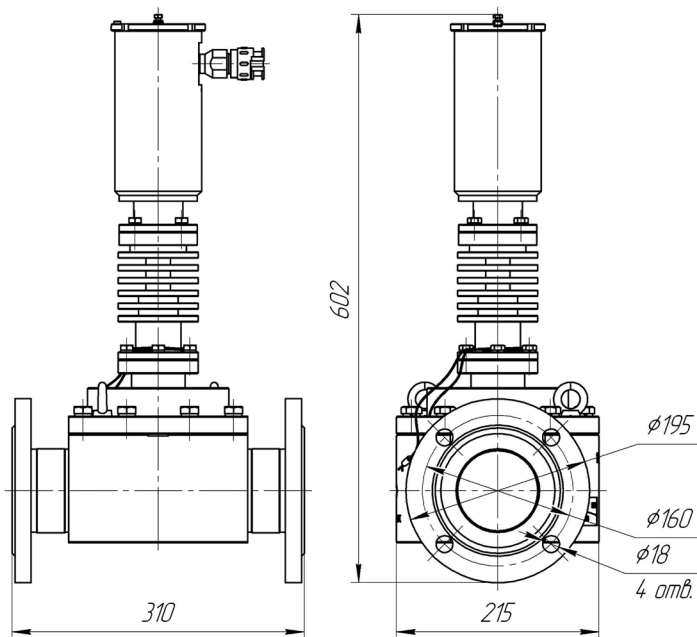
### OPTIONAL MODULES:

heating coil

### APPLICATION:

fuel oil

## KЭO 80/10/082/135 с ЭВ 06/AC/230/1



IP66  

### SPECIFICATION:

Mode of action	direct action valve with downloadable spool piece
Diameter (DN), mm	80
Operating pressure range, Bar	0...10
Pressure difference for valve performance, Bar	0...10
Type of pipeline's joint with valve	flange
Normal position valve	Normally Closed
Ambient temperature, °C	-60...+70
Fluid temperature, °C	-20...+270
Coil voltage, V	230±10% AC
Capacity, W:	
- power boost mode	550
- hold mode	30
Duty rating, %	100
Size, mm	310x215x602
Mass, kg	50

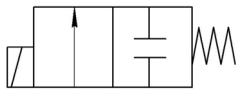
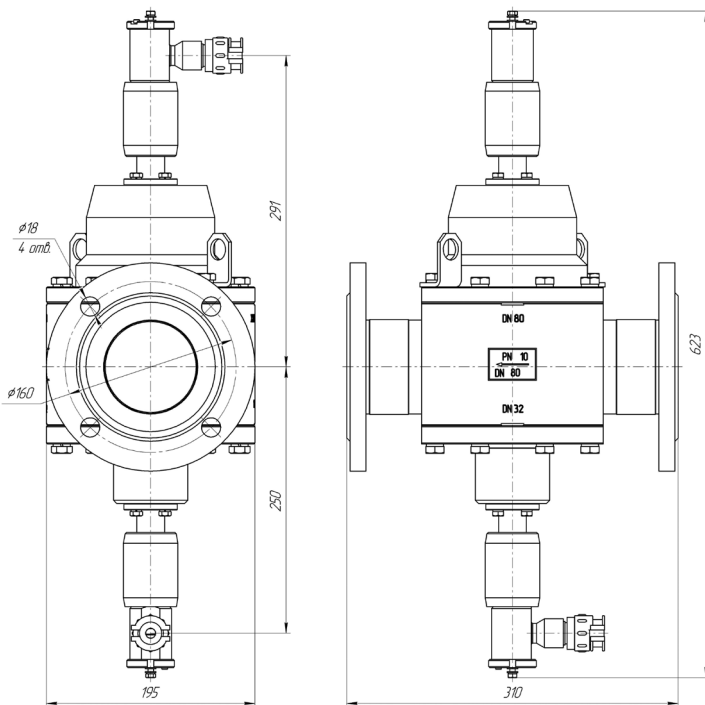
### OPTIONAL MODULES:

Valve Position Indicator (VPI)

### APPLICATION:

air, nitrogen, carbon dioxide gas, natural gas, inert gas, gaseous hydrocarbons (propane, butane, mix)

## KЭO 80/10/260/733 с ЭВ 05/AC/230/3



IP66



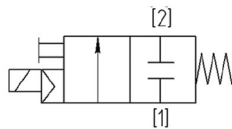
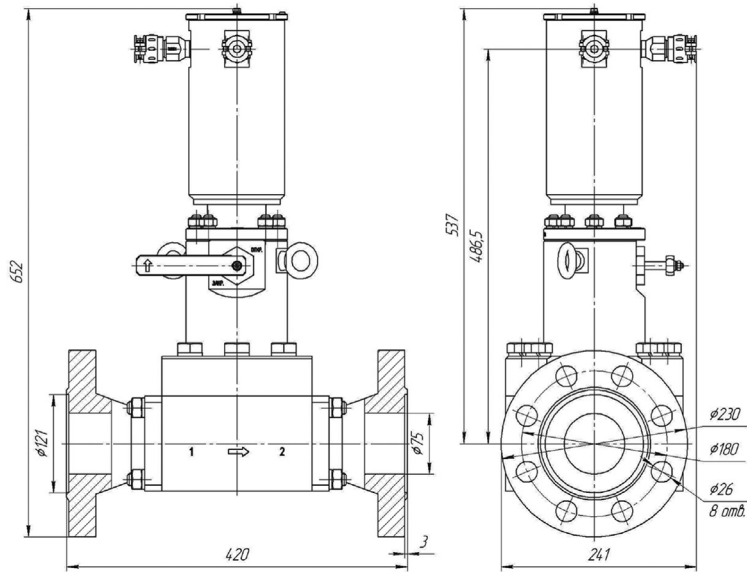
### SPECIFICATION:

Mode of action	valve with amplifier
Diameter (DN), mm	80
Operating pressure range, Bar	0...10
Pressure difference for valve performance, Bar	0,6...10
Type of pipeline's joint with valve	flange
Normal position valve	Normally Closed
Ambient temperature, °C	-50...+45
Fluid temperature, °C	-40...+45
Coil voltage, V	230±10% AC
Capacity, W	40
Duty rating, %	100
Size, mm	310x195x623
Mass, kg	40

### APPLICATION:

gasoline (petrol), diesel, mineral oil, cooling fluid, anti-freeze solution

## KЭO 80/16/074/135/4 c ЭB 06/DC/024/2



IP66 

### SPECIFICATION:

Mode of action	direct action valve with downloadable spool piece
Diameter (DN), mm	80
Operating pressure range, Bar	0...16
Pressure difference for valve performance, Bar	0...16
Type of pipeline's joint with valve	flange
Normal position valve	Normally Closed
Ambient temperature, °C	-40...+45
Fluid temperature, °C	0...+50
Coil voltage, V	24±10% DC
Capacity, W:	
- power boost mode	350
- hold mode	30
Duty rating, %	100
Size, mm	195x310x552
Mass, kg	40

### OPTIONAL MODULES:

reserve manual actuator  
Valve Position Indicator (VPI)

### APPLICATION:

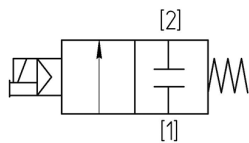
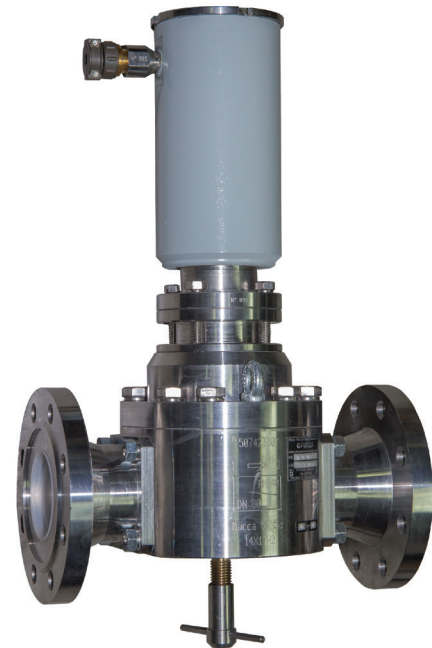
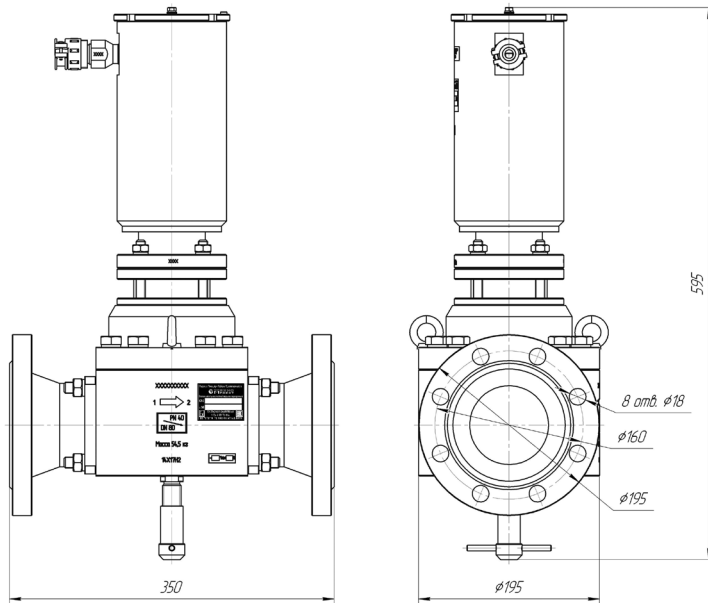
air, nitrogen, carbon dioxide gas, natural gas, inert gas, gaseous hydrocarbons (propane, butane, mix)

### POSSIBLE CHANGES:

KЭO 80/16/074/135/4 c ЭB 06/AC/230/2 with coil voltage 230AC



## KЭO 80/40/064/135 c ЭB 11/DC/024/6



IP66 

### SPECIFICATION:

Mode of action	with downloadable spool piece
Diameter (DN), mm	80
Operating pressure range, Bar	40
Pressure difference for valve performance, Bar	0...40
Type of pipeline's joint with valve	flange
Normal position valve	Normally Closed
Ambient temperature, 0C	-40...+45
Fluid temperature, 0C	-40...+80
Coil voltage, V	24(-10...+20%)DC
Capacity, W	
- power boost mode	300
- hold mode	15±1
Duty rating, %	100
Size, mm	350x195x595
Mass, kg	53±2

### OPTIONAL MODULES:

reserve manual actuator  
Valve Position Indicator (VPI)

### APPLICATION:

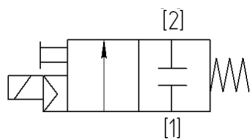
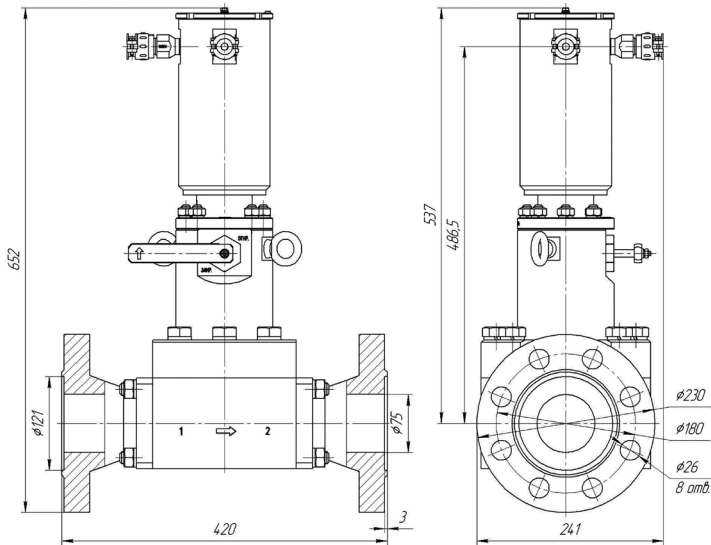
natural and associated petroleum gas (APG), condensate of natural gas

### POSSIBLE CHANGES:

KЭO 80/40/064/135 c ЭB 11/AC/230/6 with coil voltage 230AC



## KЭO 80/160/074/135 с ЭВ 11/DC/024/8



IP66 

### SPECIFICATION:

Mode of action	with downloadable spool piece
Diameter (DN), mm	80
Operating pressure range, Bar	0...160
Pressure difference for valve performance, Bar	0...70
Type of pipeline's joint with valve	flange
Normal position valve	Normally Closed
Ambient temperature, 0C	-60...+45
Fluid temperature, 0C	+5...+90
Coil voltage, V	24 (-10...+50)10%DC
Capacity, W	
- power boost mode	350
- hold mode	25
Duty rating, %	100
Size, mm	420x241x652
Mass, kg	95

### OPTIONAL MODULES:

reserve manual indicator  
Valve Position Indicator (VPI)

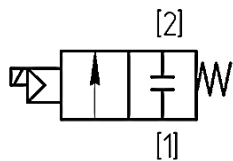
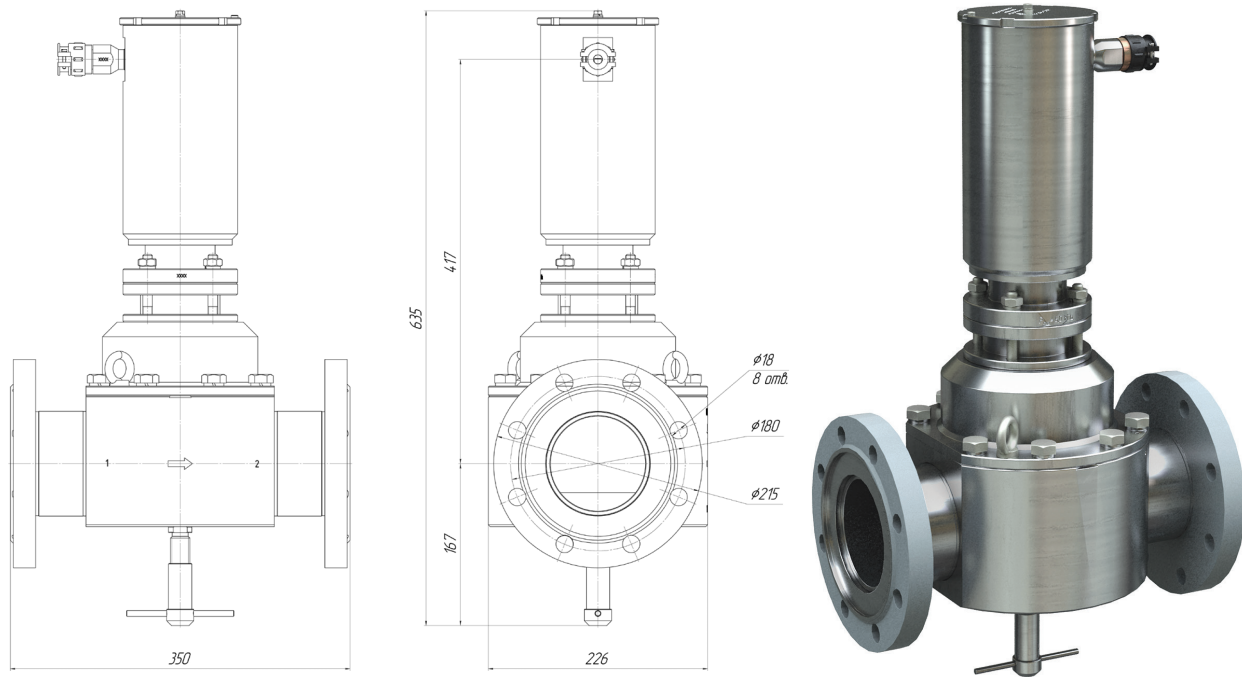
### APPLICATION:

natural gas, associated gas, condensate of natural gas

### POSSIBLE CHANGES:

KЭO 80/160/074/135 с ЭВ 11/AC/230/8 with coil voltage 230AC

## KЭO 100/16/074/135 c ЭB 11/AC/230/6



IP66 

### SPECIFICATION:

Mode of action	with downloadable spool piece
Diameter (DN), mm	100
Operating pressure range, Bar	16
Pressure difference for valve performance, Bar	0...16
Type of pipeline's joint with valve	flange
Normal position valve	Normally Closed
Ambient temperature, 0C	-40...+45
Fluid temperature, 0C	+20...+100
Coil voltage, V	230±10%AC
Capacity, W	
- power boost mode	350
- hold mode	29±1
Duty rating, %	100
Size, mm	350x226x635
Mass, kg	61

### OPTIONAL MODULES:

reserve manual actuator  
Valve Position Indicator (VPI)

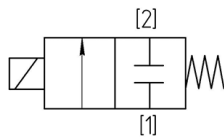
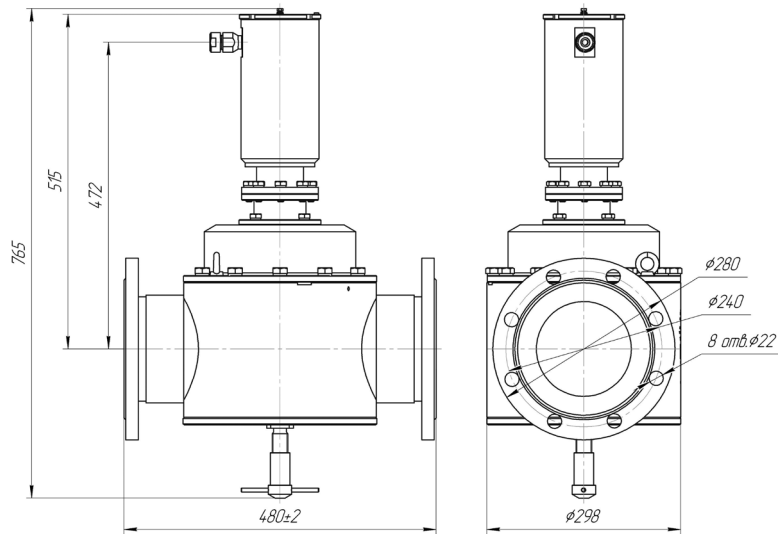
### APPLICATION:

air, natural and associated petroleum gas (APG),  
condensate of natural gas

### POSSIBLE CHANGES:

KЭO 100/16/074/135 c ЭB 11/DC/024/6 with coil voltage 24DC

# KЭO 150/16/134/135 c ЭB 11/AC/230/6



IP66 

## SPECIFICATION:

Mode of action	with downloadable spool piece
Diameter (DN), mm	150
Operating pressure range, Bar	16
Pressure difference for valve performance, Bar	0...16
Type of pipeline's joint with valve	flange
Normal position valve	Normally Closed
Ambient temperature, 0C	-45...+40
Fluid temperature, 0C	0...+115
Coil voltage, V	230±10%AC
Capacity, W	
- power boost mode	500
- hold mode	30
Duty rating, %	100
Size, mm	480x298x765
Mass, kg	100±4

## OPTIONAL MODULES:

reserve manual indicator  
Valve Position Indicator (VPI)

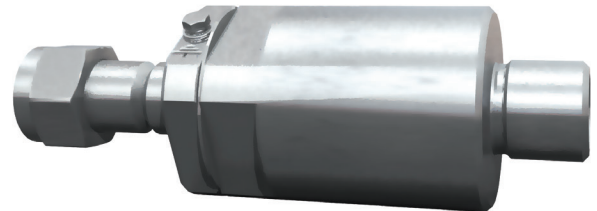
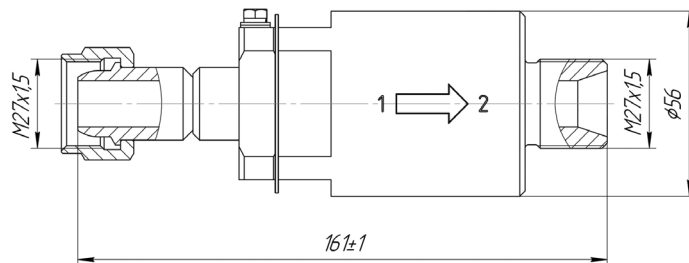
## APPLICATION:

water, petrol, diesel oil

## POSSIBLE CHANGES:

KЭO 150/16/264/135 c ЭB 11/AC/230/6

# KO 15/250/00/2/00



**IP66** 

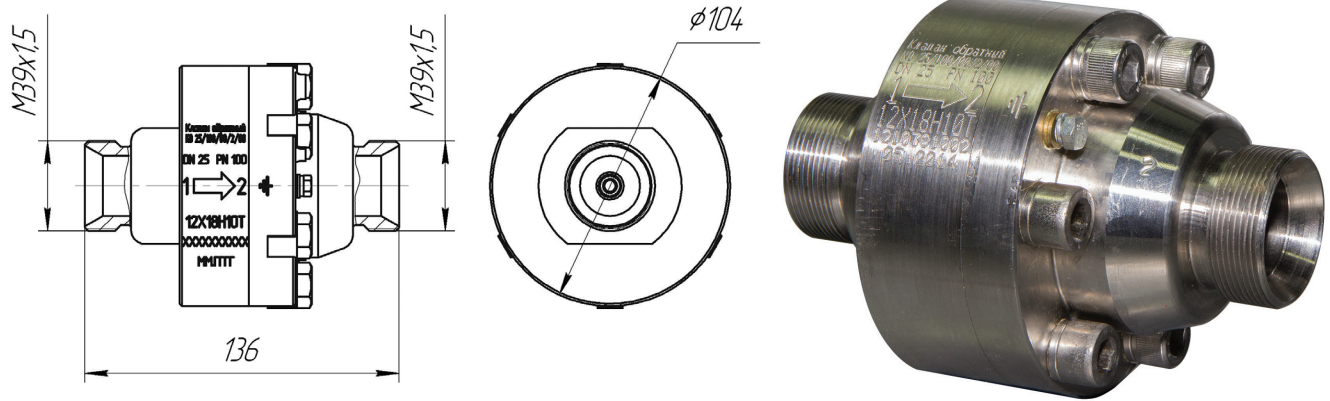
### SPECIFICATION:

Diameter (DN), mm	15
Operating pressure range, Bar	250
Pressure difference for valve performance, Bar	0,5...250
Type of pipeline's joint with valve	outlet (female thread)
Ambient temperature, °C	-50...+60
Fluid temperature, °C	-50...+100
Face-to-face dimension, mm	164
Size, mm	161x56x56
Mass, kg	2

### APPLICATION:

air, nitrogen, carbon dioxide gas, natural gas, inert gas, gaseous hydrocarbons (propane, butane, mix)

# KO 25/100/00/2/00



**IP66**

**SPECIFICATION:**

Diameter (DN), mm	25
Operating pressure range, Bar	0...100,0
Pressure difference for valve performance, Bar	0,3 ..... 100,0
Type of pipeline's joint with valve	outlet (female thread)
Ambient temperature, °C	-60...+50
Fluid temperature, °C	+5...+80
Size, mm	136x104x104
Mass, kg	3,5

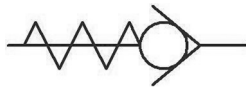
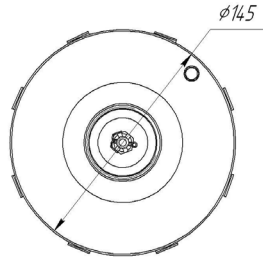
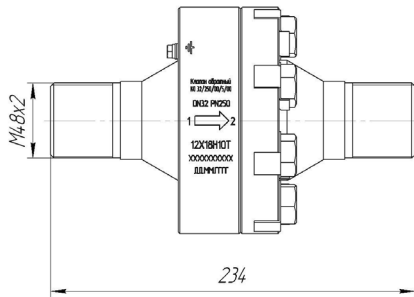
**APPLICATION:**

natural gas, associated petroleum gas (APG), cooling fluid, fuel oil

**POSSIBLE CHANGES:**

KO 25/100/00/3/00 with flange type of pipeline's joint with valve

# KO 32/250/00/5/00



IP66



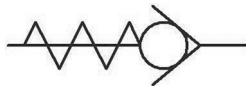
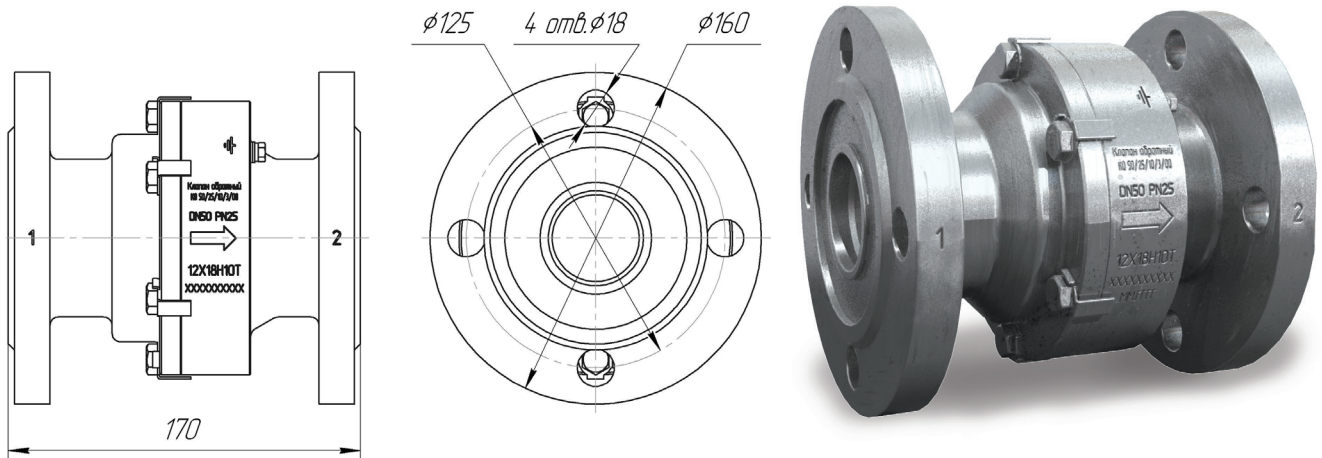
**SPECIFICATION:**

Diameter (DN), mm	32
Operating pressure range, Bar	0...250
Pressure difference for valve performance, Bar	0.5...250
Type of pipeline's joint with valve	special joint (lensing)
Ambient temperature, °C	-40...+40
Fluid temperature, °C	0...+100
Size, mm	234x145x145
Mass, kg	9

**APPLICATION:**

air, nitrogen, carbon dioxide gas, natural gas, inert gas, gaseous hydrocarbons (propane, butane, mix)

# KO 50/25/10/3/00



**IP66**

**SPECIFICATION:**

Diameter (DN), mm	50
Operating pressure range, Bar	0...25
Pressure difference for valve performance, Bar	0,3...25
Type of pipeline's joint with valve	flange
Ambient temperature, °C	-40...+60
Fluid temperature, °C	+5...+160* +5...+70
Size, mm	170x160x160
Mass, kg	10

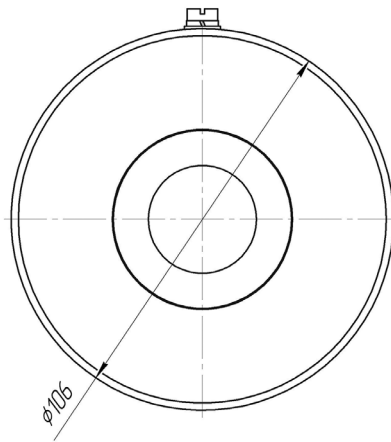
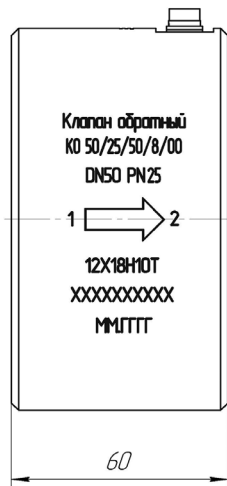
**APPLICATION:**

water, diesel, mineral oil, synthetic oil

\* - for oil.



# KO 50/25/50/8/00



**IP66**

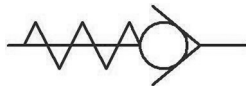
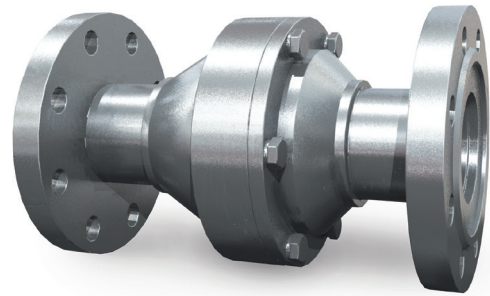
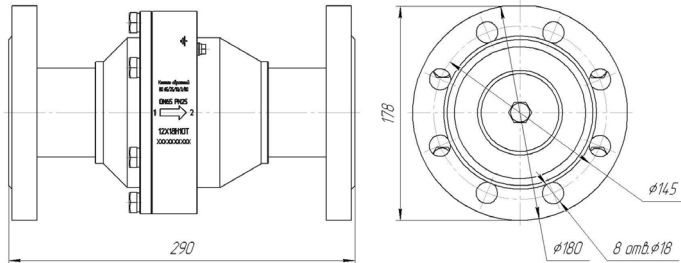
**SPECIFICATION:**

Diameter (DN), mm	50
Operating pressure range, Bar	25
Pressure difference for valve performance, Bar	0,5...2,5
Type of pipeline's joint with valve	interflanged
Ambient temperature, 0C	-60...+50
Fluid temperature, 0C	-60...+45
Size, mm	60x106x106
Mass, kg	2,6

**APPLICATION:**

liquefied petroleum gas with viscosity 0,17...0,35 cst

# KO 65/25/10/3/00



**IP66**

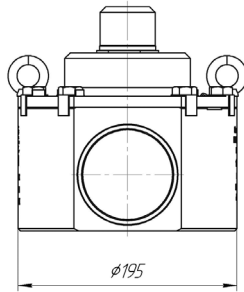
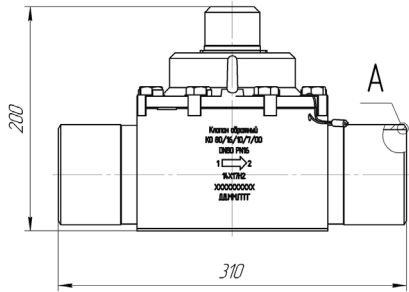
**SPECIFICATION:**

Diameter (DN), mm	65
Operating pressure range, Bar	0...25
Pressure difference for valve performance, Bar	0,3...25
Type of pipeline's joint with valve	flange
Ambient temperature, °C	+40...+50
Fluid temperature, °C	+5...+60
Size, mm	290x178x180
Mass, kg	17

**APPLICATION:**

water, diesel, mineral oil, synthetic oil

# KO 80/16/10/7/00



IP66

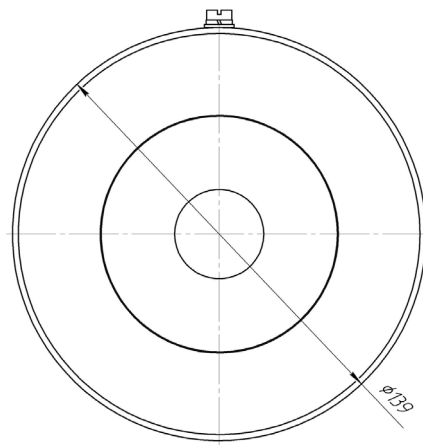
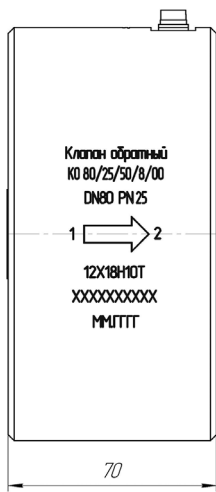
**SPECIFICATION:**

Diameter (DN), mm	80
Operating pressure range, Bar	16
Pressure difference for valve performance, Bar	0,1...16
Type of pipeline's joint with valve	by weld
Ambient temperature, 0C	0...+50
Fluid temperature, 0C	+5...+150
Size, mm	310x195x200
Mass, kg	18,5±1

**APPLICATION:**

mineral and synthetic oil

# KO 80/25/50/8/00



**IP66**

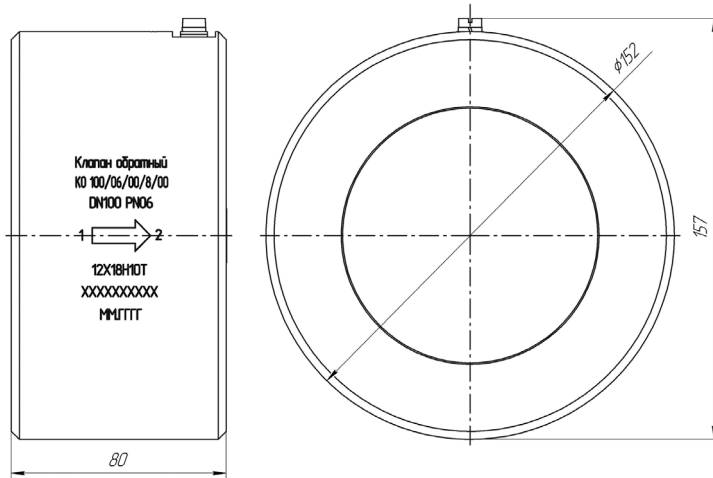
**SPECIFICATION:**

Diameter (DN), mm	80
Operating pressure range, Bar	25
Pressure difference for valve performance, Bar	0,5...25
Type of pipeline's joint with valve	interflanged
Ambient temperature, 0C	-60...+50
Fluid temperature, 0C	-60...+45
Size, mm	70x139x139
Mass, kg	4±0,2

**APPLICATION:**

liquefied petroleum gas with viscosity 0,17...0,35 cst

# KO 100/06/00/8/00



**IP66**

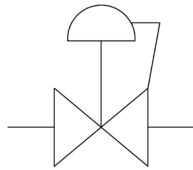
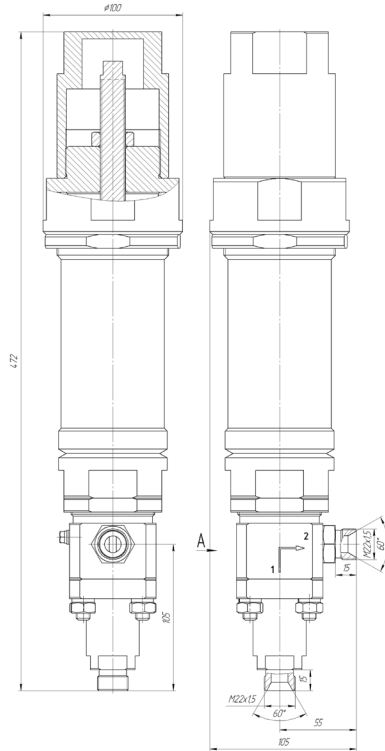
**SPECIFICATION:**

Diameter (DN), mm	100
Operating pressure range, Bar	6
Pressure difference for valve performance, Bar	0,25...6
Type of pipeline's joint with valve	interflanged
Ambient temperature, 0C	-60...+60
Fluid temperature, 0C	+5...+70
Size, mm	80x152x157
Mass, kg	4±0,3

**APPLICATION:**

air

# РЕДУТ-Д 10/250/200/00/2/00



IP66 

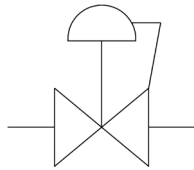
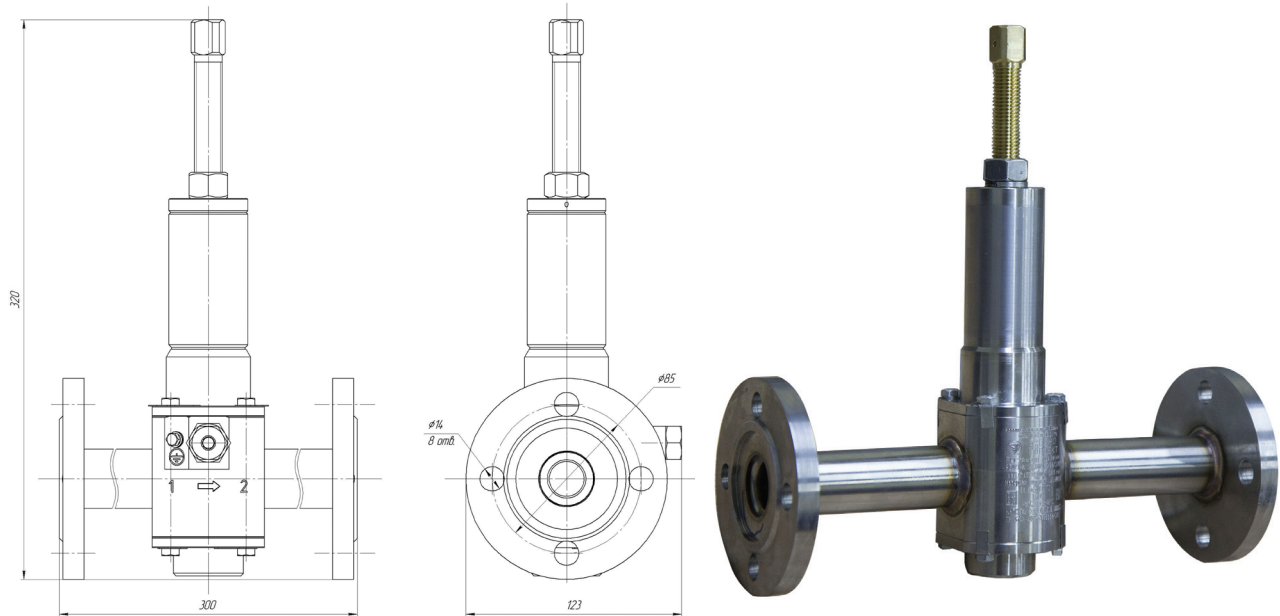
## SPECIFICATION:

Mode of action	direct action
Type of regulator	downstream pressure controller
Diameter (DN), mm	10
Operating pressure, Bar	250
Upstream pressure, Bar	50...10
Downstream pressure, Bar	2,5...250
Type of pipeline's joint with valve	outlet(female)
Ambient temperature, 0C	-40...+50
Fluid temperature, 0C	+10...+60
Size, mm	105x100x472
Mass, kg	11±2

## APPLICATION:

natural gas

# РЕДУТ-Д 25/10/3,5/00/3/00



## IP66

### SPECIFICATION:

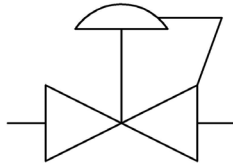
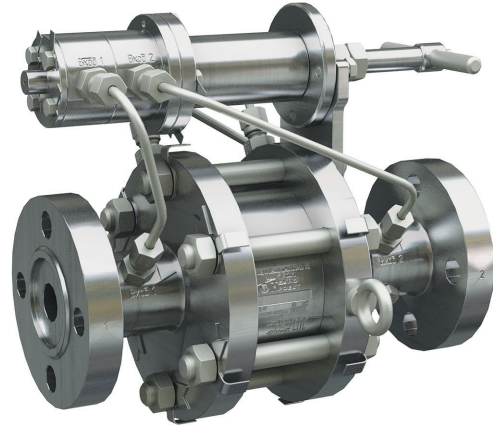
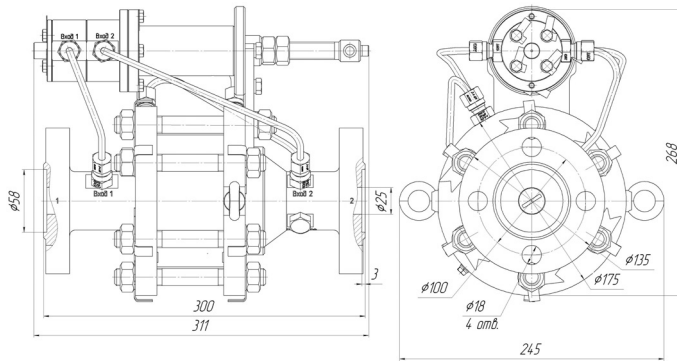
Mode of action	direct action
Type of regulator	downstream pressure controller
Diameter (DN), mm	25
Operating pressure, Bar	10
Upstream pressure, Bar	3,5...10
Downstream pressure, Bar	2,5...5
Type of pipeline's joint with valve	flange
Normal position valve	Normally Open
Ambient temperature, 0C	+10...+65
Fluid temperature, 0C	+5...+40
Size, mm	300x123x320
Mass, kg	5,5±0,5

### APPLICATION:

compressed air



# РЕДУТ-Д 25/100/12/00/3/00



## IP66

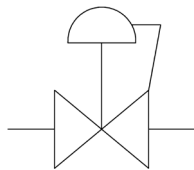
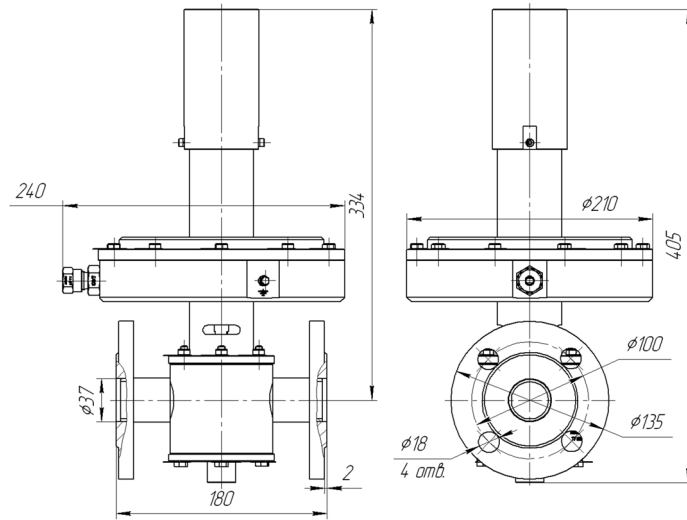
### SPECIFICATION:

Mode of action	with amplifier
Type of regulator	downstream pressure controller
Diameter (DN), mm	25
Operating pressure, Bar	10
Upstream pressure, Bar	16...75
Downstream pressure, Bar	3...12
Type of pipeline's joint with valve	flange
Normal position valve	Normally Closed
Ambient temperature, 0C	-10...+40
Fluid temperature, 0C	-60...+45
Size, mm	311x245x268
Mass, kg	40

### APPLICATION:

compressed air

# РЕДУТ-Д 32/6,3/0,5/00/3/00



## IP66

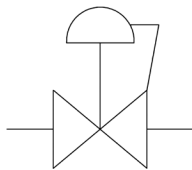
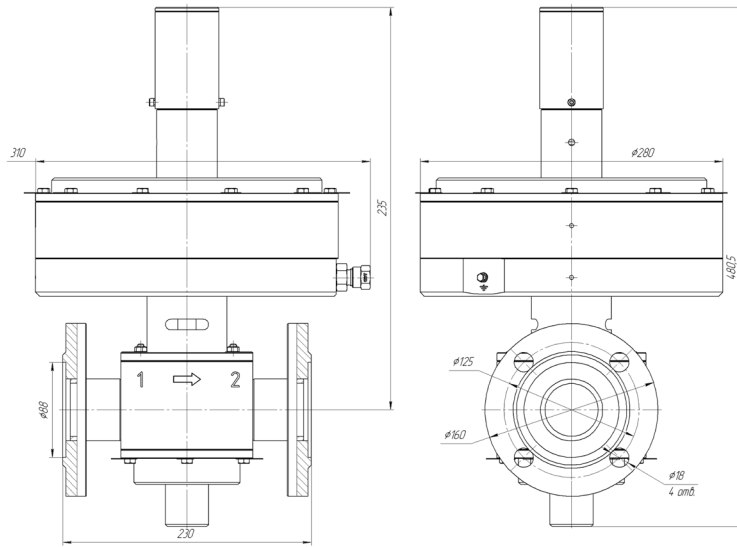
### SPECIFICATION:

Mode of action	direct action
Type of regulator	downstream pressure controller
Diameter (DN), mm	32
Operating pressure, Bar	6,3
Upstream pressure, Bar	2,5...5
Downstream pressure, Bar	0,3...0,5
Type of pipeline's joint with valve	flange
Normal position valve	Normally Closed
Ambient temperature, 0C	+5...+70
Fluid temperature, 0C	+5...+45
Size, mm	240x180x405
Mass, kg	16,5±1

### APPLICATION:

compressed air

# РЕДУТ-Д 50/10/0,2/00/3/00



## IP66

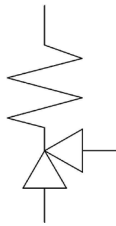
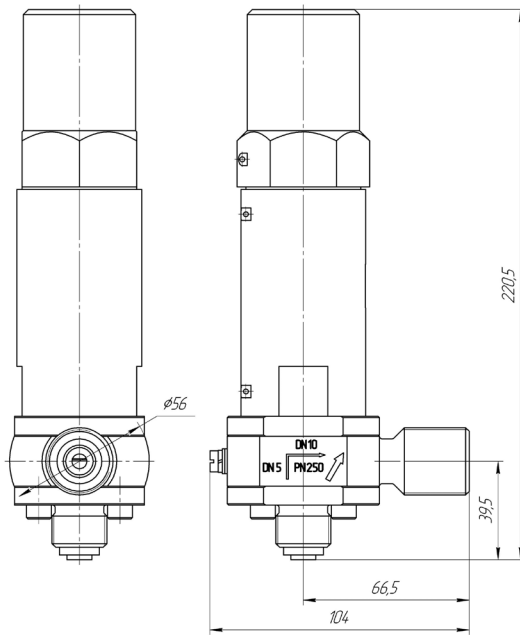
### SPECIFICATION:

Mode of action	direct action
Type of regulator	downstream pressure controller
Diameter (DN), mm	50
Operating pressure, Bar	10
Upstream pressure, Bar	7,9...10
Downstream pressure, Bar	0,15...0,25
Type of pipeline's joint with valve	flange
Normal position valve	Normally Open
Ambient temperature, 0C	+10...+50
Fluid temperature, 0C	+5...+40
Size, mm	230x310x480,5
Mass, kg	44±1

### APPLICATION:

compressed air

## ПРОВОК 5/250/XX/00/2/00



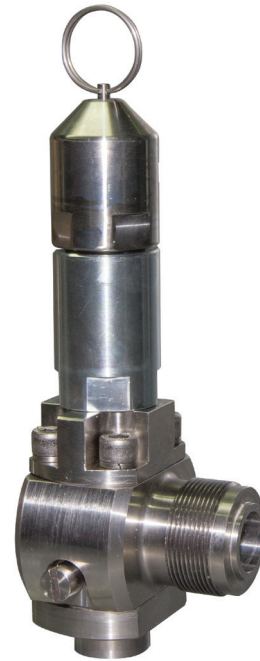
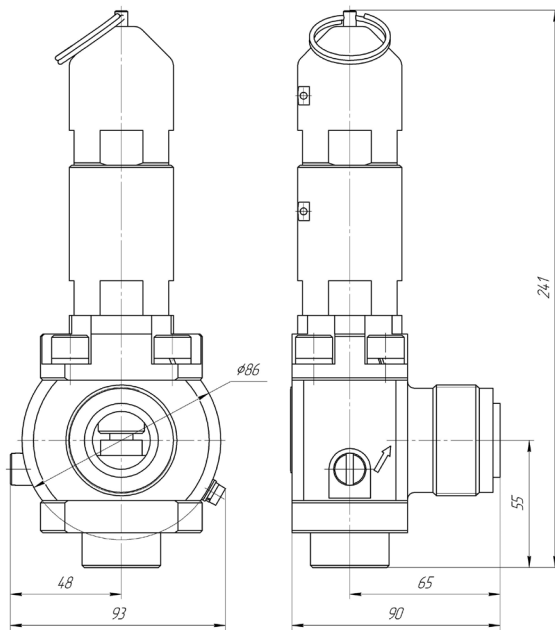
### SPECIFICATION:

Diameter (upstream/down-stream), mm	5/10
Operating pressure, Bar	250
Set point pressure range, Bar	170...250
Type of pipeline's joint with valve	outlet (female thread)
Ambient temperature, 0C	-40...+50
Fluid temperature, 0C	-40...+50
Size, mm	104x56x220
Mass, kg	2,8

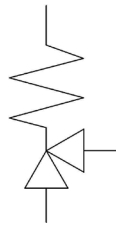
### APPLICATION:

compressed natural gas

# ПРОК 15/125/XX/01/1/40



## IP66



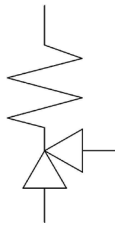
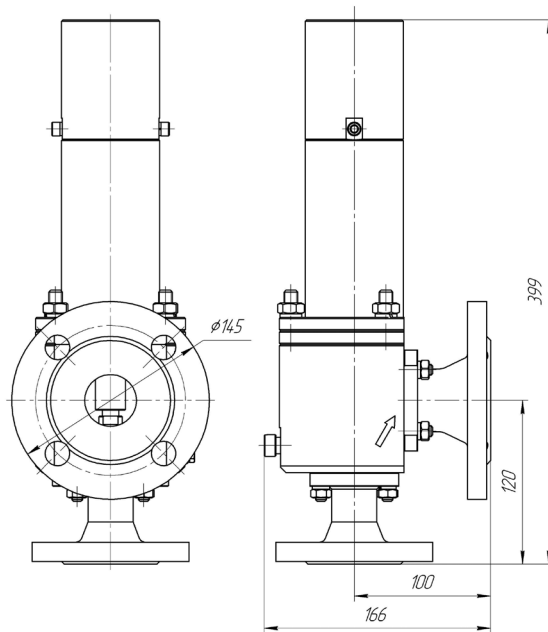
### SPECIFICATION:

Diameter (upstream/down-stream), mm	15/25
Operating pressure, Bar	125
Set point pressure range, Bar	6...125
Ambient temperature, 0C	-60...+50
Fluid temperature, 0C	-10...+80
Size, mm	93x90x241
Mass, kg	3,8

### APPLICATION:

compatible natural gas containing liquid hydrocarbons, ethylene glycol, turbine oil, methanol, water and mechanical impurities

## ПР0К 25/XX/XX/0X/3/X0



### IP66

#### SPECIFICATION:

Diameter (upstream/down-stream), mm	25/40
Operating pressure, Bar	160
Set point pressure range, Bar	2...160
Type of pipeline's joint with valve	flange
Ambient temperature, 0C	-40...+40
Fluid temperature, 0C	-10...+50
Size, mm	166x145x399
Mass, kg	14±1

#### OPTIONAL MODULES:

reserve manual actuator

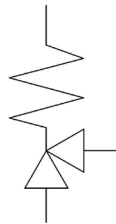
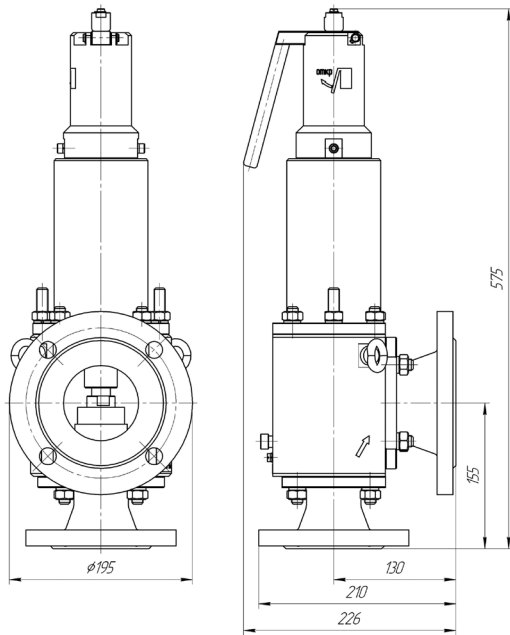
#### APPLICATION:

air, natural gas, associated petroleum gas, nitrogen, carbon dioxide, inert gas, gaseous hydrocarbons (propane, butane, methane, mix)  
crude oil

#### POSSIBLE CHANGES:

ПР0К 25/40/XX/00/3/00  
 ПР0К 25/63/XX/00/3/00  
 ПР0К 25/63/XX/01/3/00  
 ПР0К 25/100/XX/00/3/00  
 ПР0К 25/160/XX/00/3/00

# ПРОК 50/XX/XX/01/3/00



## IP66

### SPECIFICATION:

Diameter (upstream/down-stream), mm	50/80
Operating pressure, Bar	63
Set point pressure range, Bar	0,5...63
Type of pipeline's joint with valve	flange
Ambient temperature, 0C	-60...+45
Fluid temperature, 0C	-50...+80
Size, mm	226x195x575
Mass, kg	35±5

### OPTIONAL MODULES:

reserve manual actuator

### APPLICATION:

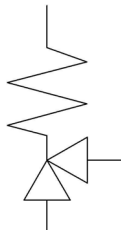
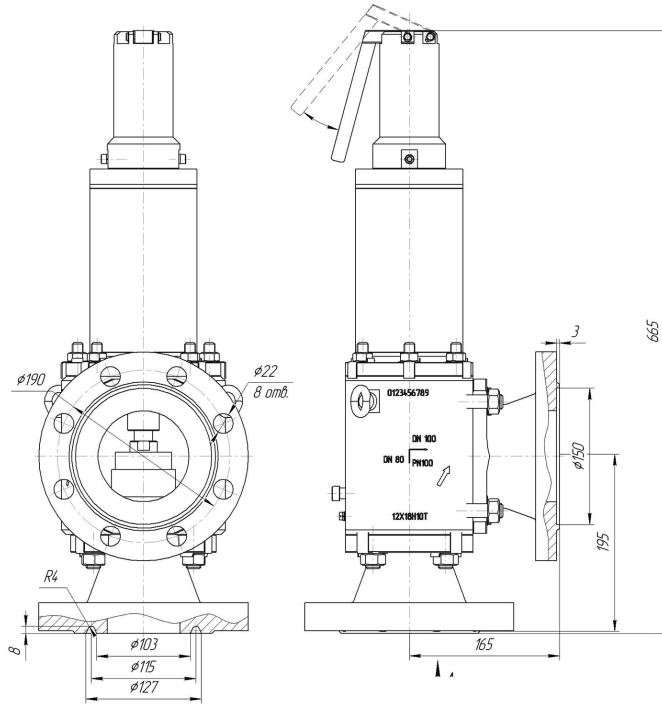
air, natural gas, associated petroleum gas, nitrogen, carbon dioxide, inert gas, gaseous hydrocarbons (propane, butane, methane, mix) crude oil

### POSSIBLE CHANGES:

ПРОК 50/16/XX/00/3/00  
 ПРОК 50/16/XX/01/3/00  
 ПРОК 50/40/XX/00/3/00  
 ПРОК 50/63/XX/01/3/00



# ПРОК 80/XX/XX/01/3/00



IP66 

## SPECIFICATION:

Diameter (upstream/down-stream), mm	80/100
Operating pressure, Bar	100
Set point pressure range, Bar	0,5...63
Type of pipeline's joint with valve	flange
Ambient temperature, 0C	-60...+50
Fluid temperature, 0C	-10...+80
Size, mm	218x247,5x663
Mass, kg	51±2

## OPTIONAL MODULES:

reserve manual actuator

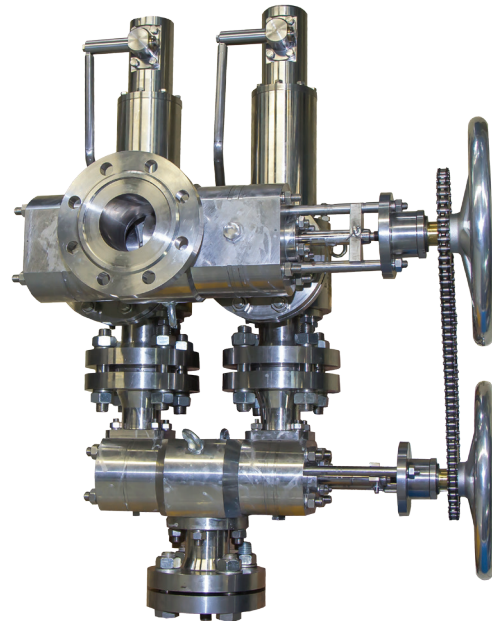
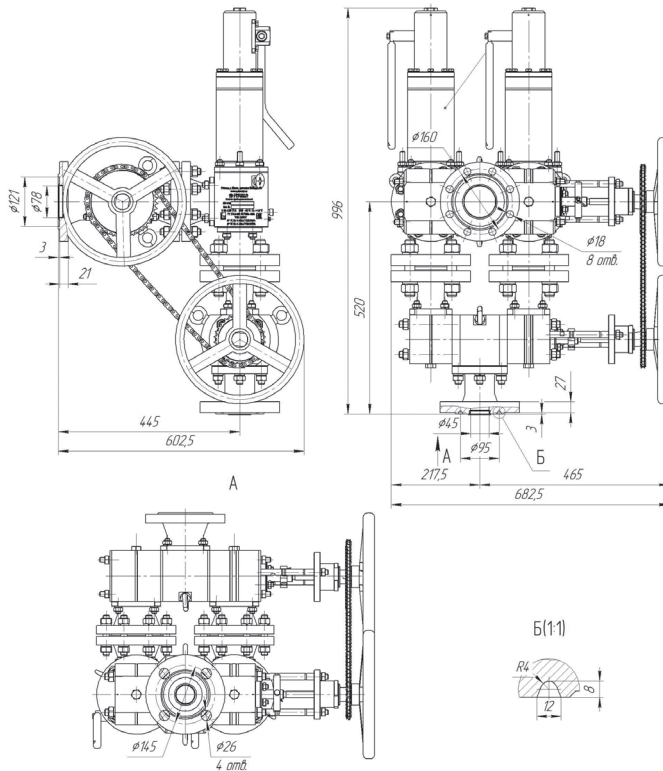
## APPLICATION:

compatible natural gas containing liquid hydrocarbons, ethylene glycol, turbine oil, methanol, water and mechanical impurities

## POSSIBLE CHANGES:

ПРОК 80/16/XX/00/3/00  
 ПРОК 80/40/XX/00/3/00  
 ПРОК 80/40/XX/01/3/00  
 ПРОК 80/63/XX/01/3/00  
 ПРОК 80/100/XX/01/3/00

# БПК 50/160/0/1/73 с ПРОК 50/160/80/01/3/00

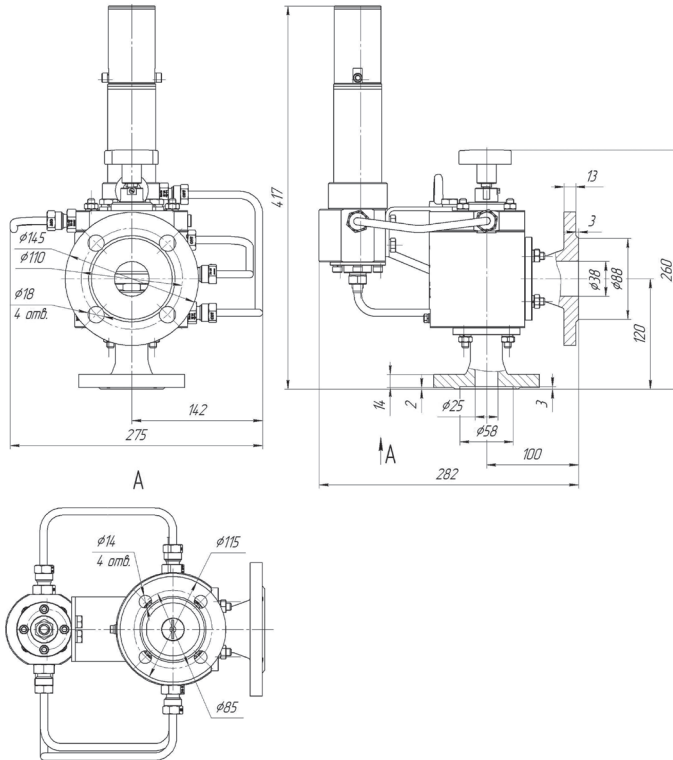

**SPECIFICATION:**

Type of pipeline's joint with valve	flange
Ambient temperature, 0C	-50...+60
Fluid temperature, 0C	-60...+180
Diameter (DN inlet/outlet), mm	Operating pressure (PN inlet/outlet), Bar
25/50	16/6; 40/16; 63/40; 100/40; 160/40
50/80	16/6; 40/16; 63/40; 160/40
80/100	16/6; 40/16
100/150	16/6
150	16

**APPLICATION:**

liquid and gaseous fluid

# ИПК 25/40/16/0/1/3/00



IP66 

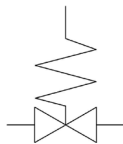
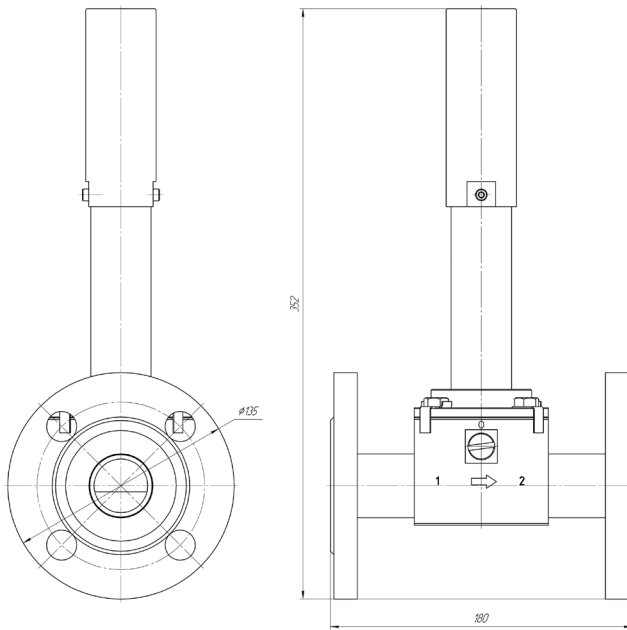
### SPECIFICATION:

Type of pipeline's joint with valve	flange
Ambient temperature, 0C	-60...+70
Fluid temperature, 0C	-60...+180
Diameter (DN inlet/outlet), mm	Operating pressure (PN inlet/outlet), Bar
25/50(40)	16/6; 40/16; 63/40; 160/40
50/80	16/6; 40/16; 63/40; 160/40
80/100	16/6; 40/16
100/150	16/6; 40/16
150	16

### APPLICATION:

liquid and gaseous fluid

# ПРОК 32/10/0,4/10/3/00



IP66

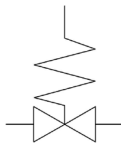
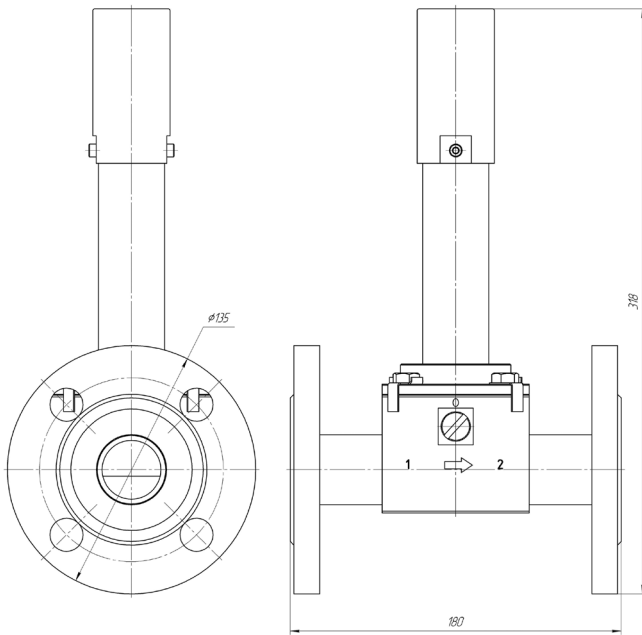
**SPECIFICATION:**

Diameter (DN inlet), mm	32
Diameter (DN outlet), mm	32
Operating pressure, Bar	10
Set point pressure, Bar	0,4
Relieving pressure, Bar	0,44
Closing pressure, Bar	0.35
Type of pipeline's joint with valve	flange
Ambient temperature, 0C	+15...+60
Fluid temperature, 0C	+30...+60
Size, mm	180x135x352
Mass, kg	7,5

**APPLICATION:**

turbine oil with viscosity not more than 100 cst

# ПРОК 32/10/4/10/3/00



**IP66** 

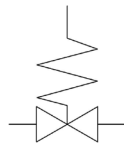
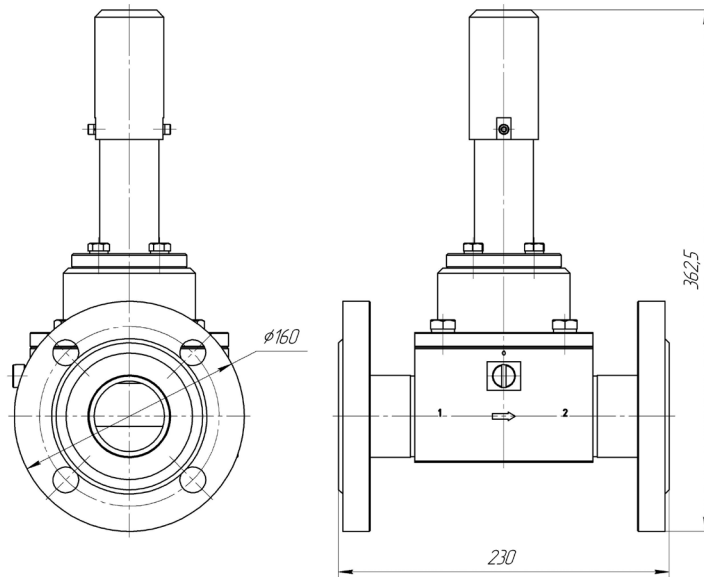
**SPECIFICATION:**

Diameter (DN inlet), mm	32
Diameter (DN outlet), mm	32
Operating pressure, Bar	10
Set point pressure, Bar	4
Relieving pressure, Bar	4,4
Closing pressure, Bar	3,5
Type of pipeline's joint with valve	flange
Ambient temperature, 0C	+15...+60
Fluid temperature, 0C	+15...+125
Size, mm	180x135x318
Mass, kg	7

**APPLICATION:**

turbine oil with viscosity not more than 100 cst

# ПРОК 50/10/6/00/3/00



IP66

**SPECIFICATION:**

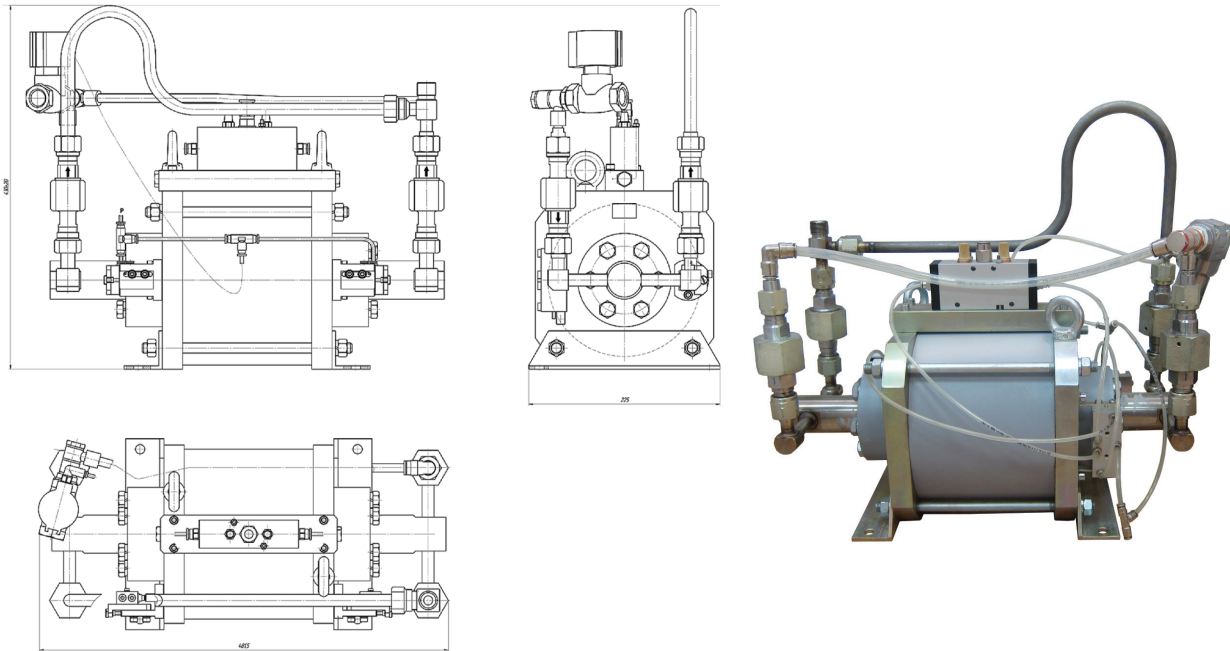
Diameter (DN inlet), mm	50
Diameter (DN outlet), mm	50
Operating pressure, Bar	10
Set point pressure, Bar	6
Relieving pressure, Bar	7,7
Closing pressure, Bar	4,92
Type of pipeline's joint with valve	flange
Ambient temperature, 0C	-40...+55
Fluid temperature, 0C	+15...+70
Size, mm	230x160x362,5
Mass, kg	16

**APPLICATION:**

turbine oil with viscosity not more than 100 cst



## ПГМ-250, ПГМ-450, ПГМ-750, ПГМ-1100



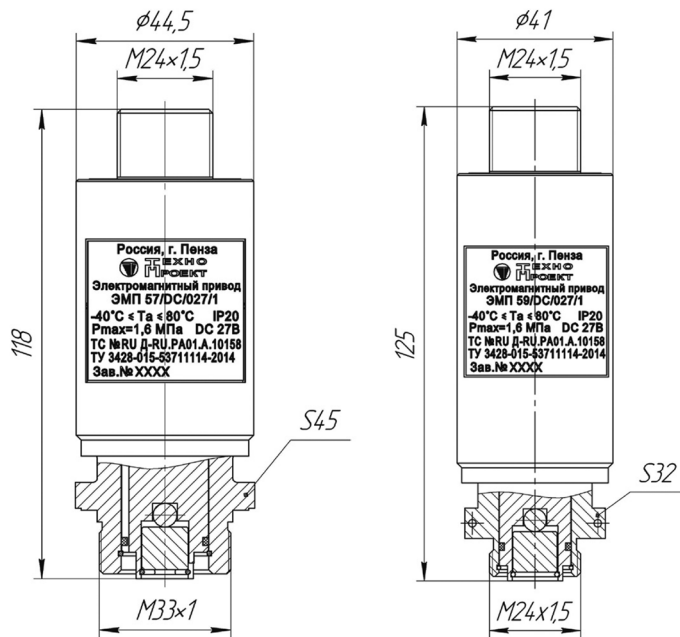
### SPECIFICATION:

Upstream pressure of water/oil, Bar	1...2			
Downstream pressure of water/oil, Bar	10...250	20...450	30...750	50...1100
Pressure of air, Bar	6			
Pressure ratio	42	75	125	183
Capacity for double stroke, cm <sup>3</sup>	78,4	41	25	17,6
Air rate for double stroke, cm <sup>3</sup>	4000			
Max number of double stroke per minute	60			
Number of power stroke	120			
Size, mm	481,5x225x430			
Mass, kg	50			

### FEATURES

- Downstream pressure of water/oil to 1100 bar
- Efficiency as compared with high-pressure pump
- Stepless control of downstream pressure
- Low air rate
- Automatic retention downstream pressure
- Easy of operation and maintenance

## ЭМП 57/DC/027/1, ЭМП 59/DC/027/1



### IP20

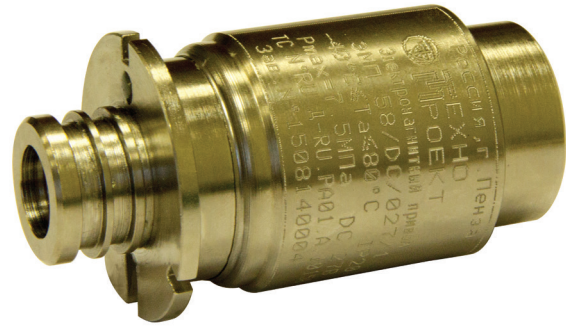
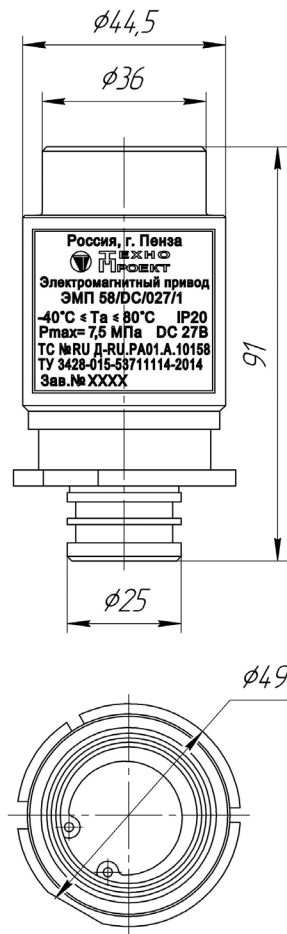
#### SPECIFICATION:

Parameters	ЭМП 57/ DC/027/1	ЭМП 59/ DC/027/1
Operating pressure of drive, Bar	16	
Coil voltage, V	27±10%DC	
Power supply connection	2РТ20БГН2Щ40В	
Nominal draft force of drive, H	100	48
Consumption current of magnetic coil, A	2	1
Reinforcement of spring pressing the plunger to the valve seat, H	25	
Armature stroke, mm	1±0,5	
Ambient temperature, 0C	-40...+80	
Size, mm	118x49x49	125x41x41
Mass, kg	0,9	0,75

#### APPLICATION:

fuel gas

## ЭМП 58/DC/027/1



### IP20

#### SPECIFICATION:

Operating pressure of drive, Bar	7,5
Coil voltage, V	27±10%DC
Nominal draft force of drive, H	70
Consumption current of magnetic coil, A	1,3
Armature stroke, mm	1,5±0,3
Ambient temperature, 0C	-40...+80
Size, mm	91x49x49
Mass, kg	0,75

#### APPLICATION:

fuel gas





LLC «Tehnoproekt»  
75, Pobeda pr., Penza, 440060, Russia  
tel./fax: +7 (8412) 202-303, 95-75-06  
marketing@takevalve.com  
www.takevalve.com